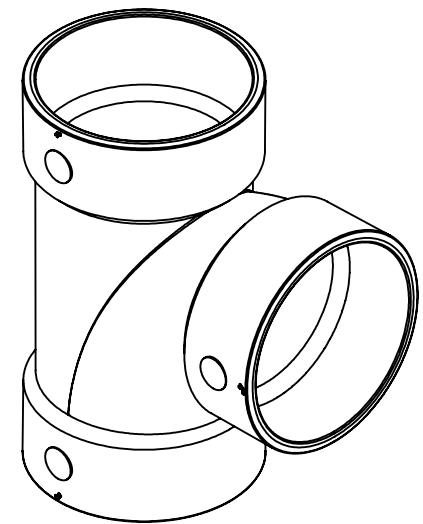


3X 4" TRADE SIZE  
SOLVENT WELD  
DWV HUB



REF. ULC-102.2, ULC-S636  
ASTM D2665, CSA B181.2

Part Number	Product Line	Line Description	Color
D156	DWV-US	DWV U.S.A.	White
DL156	DL	Low Rise	Lt. Gray
DH156	DH	High Rise	Dk. Gray
06GV040404HHH	GVS65	Gas Vent System 65C	White
06GVF040404HHH	GVS90	Gas Vent System 90C	Lt. Gray
RG400-040	RADON	RADON Gas Vent System	Lt. Gray

**Westlake**  
Pipe & Fittings  
2801 POST OAK BLVD, SUITE 600  
HOUSTON, TX 77056, U.S.A.  
(855) 624-7473 | [www.westlakepipe.com](http://www.westlakepipe.com)

**4" SANITARY TEE (T-Y)**  
**PVC SW DWV**  
**4"x 4"x 4" HxHxH**

REFERENCE ONLY  
  
FILE NAME:  
**D156.D02B**