

PRODUCT SPECIFICATION

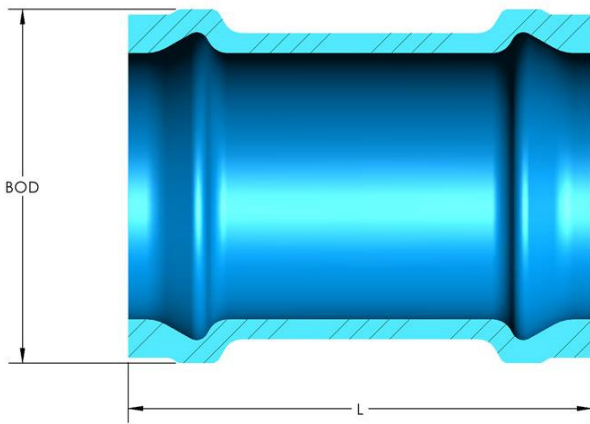
# AQUACONNECT® C907 INJECTION-MOLDED PVC PRESSURE FITTINGS

Westlake Pipe & Fittings AquaConnect® C907 Injection-Molded PVC Pressure Fittings conform to AWWA C907 and are certified to CSA B137.2. These fittings are designed for use with our AquaSpring™ C900 IB PVC Pressure Pipe and AquaMax™ C909 IB PVCO Pressure Pipe. These fittings can also be used with any other standard AWWA C900/C909 pipe. With the same long-term hydrostatic strength as our pipe there is no compromise in strength when using these fittings.

AquaConnect C907 Injection-Molded PVC Pressure Fittings are constructed from cell class 12454 PVC compound with a Hydrostatic Design Basis of 4,000 psi. Gaskets meeting the requirements of ASTM F477 and CSA B137.2 provide a leak free joint throughout the entire product offering. Gasketed joints meet the performance requirements of ASTM D3139. The entire product offering is certified by NSF International to meet NSF 61 and NSF 372 for use in potable water applications.



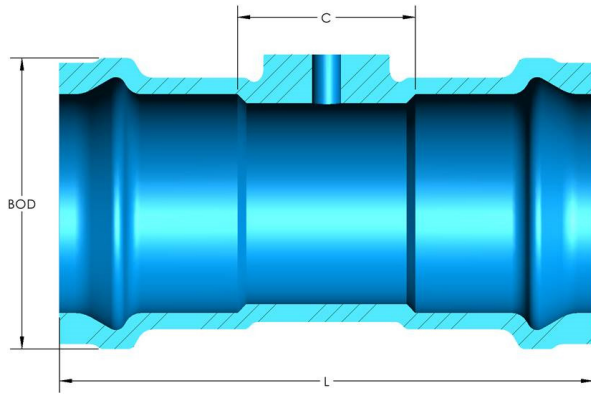
SHORT FORM SPECIFICATION	
Fitting Standard:	AWWA C907, CSA B137.2
Diameter Standard:	Cast Iron Outside Diameter (CIOD)
Nominal Sizes:	6", 8"
Color:	Blue
Fitting Compound:	Cell Class 12454 per ASTM D1784
Pipe Joint Standard:	ASTM D3139
Gasket Compound:	Standard – EPDM Optional – NBR
Gasket Standard:	ASTM F477, CSA B137.2
Pressure Class:	235 psi [1,620 kPa]
Allowable Angular Deflection:	0.5 Degrees Per Joint
Certifications:	NSF 61, NSF 372, CSA B137.2
Installation Standard:	AWWA C605, Westlake Pipe & Fittings Pressure Pipe Installation Guide



REPAIR COUPLINGS				
Nominal Size	BOD	L (Length)	Approx. Weight	Part Number
6" (150mm)	9.2" (235mm)	12.1" (308mm)	11 lb (4.9 kg)	C18-626E
8" (200mm)	11.8" (300mm)	13.5" (345mm)	19 lb (8.7 kg)	C18-628E

PRODUCT SPECIFICATION

# AQUACONNECT® C907 INJECTION-MOLDED PVC PRESSURE FITTINGS

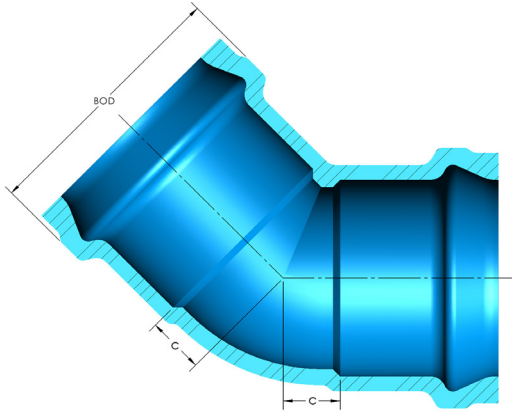


TAPPED COUPLINGS							
Nominal Size	Pipe Outside Diameter	BOD	L (Length)	C	Approx. Weight	Tapped Hole Size	Part Number
6" (150mm)	6.900" (175.3mm)	9.2" (235mm)	17.0" (432mm)	5.6" (143mm)	14 lb (6.4 kg)	¾" AWWA	C18-606TA075E
						1" AWWA	C18-606TA100E
						1¼" AWWA	C18-606TA125E
						1½" AWWA	C18-606TA150E
						2" AWWA	C18-606TA200E
						¾" NPT	C18-606TN075E
						1" NPT	C18-606TN100E
						1½" NPT	C18-606TN150E
						2" NPT	C18-606TN200E
8" (200mm)	9.050" (229.9mm)	11.8" (300mm)	19.1" (485mm)	6.5" (166mm)	26 lb (11.8 kg)	¾" AWWA	C18-608TA075E
						1" AWWA	C18-608TA100E
						1¼" AWWA	C18-608TA125E
						1½" AWWA	C18-608TA150E
						2" AWWA	C18-608TA200E
						¾" NPT	C18-608TN075E
						1" NPT	C18-608TN100E
						1½" NPT	C18-608TN150E
						2" NPT	C18-608TN200E

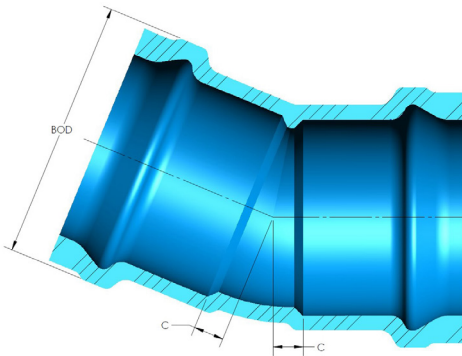
**Corporation stop installation note:** Wrap PTFE tape clockwise around tapered inlet threads of corporation stop making two complete wraps around threads. Using a torque wrench, screw the corporation stop to a required torque of 35 ft. lbs. To avoid risk of leakage, do not over torque corporation stop into coupling.

## PRODUCT SPECIFICATION

## AQUACONNECT® C907 INJECTION-MOLDED PVC PRESSURE FITTINGS



45° ELBOWS				
Nominal Size	BOD	C	Approx. Weight	Part Number
6" (150mm)	9.2" (235mm)	2.0" (51mm)	12 lb (5.4 kg)	C18-506E
8" (200mm)	11.8" (300mm)	2.6" (66mm)	24 lb (10.9 kg)	C18-508E



22.5° ELBOWS				
Nominal Size	BOD	C	Approx. Weight	Part Number
6" (150mm)	9.2" (235mm)	1.1" (27mm)	12 lb (5.4 kg)	C18-1706E
8" (200mm)	11.8" (300mm)	1.5" (39mm)	22 lb (10.0 kg)	C18-1708E

Note: These dimensions are for estimating purposes only.