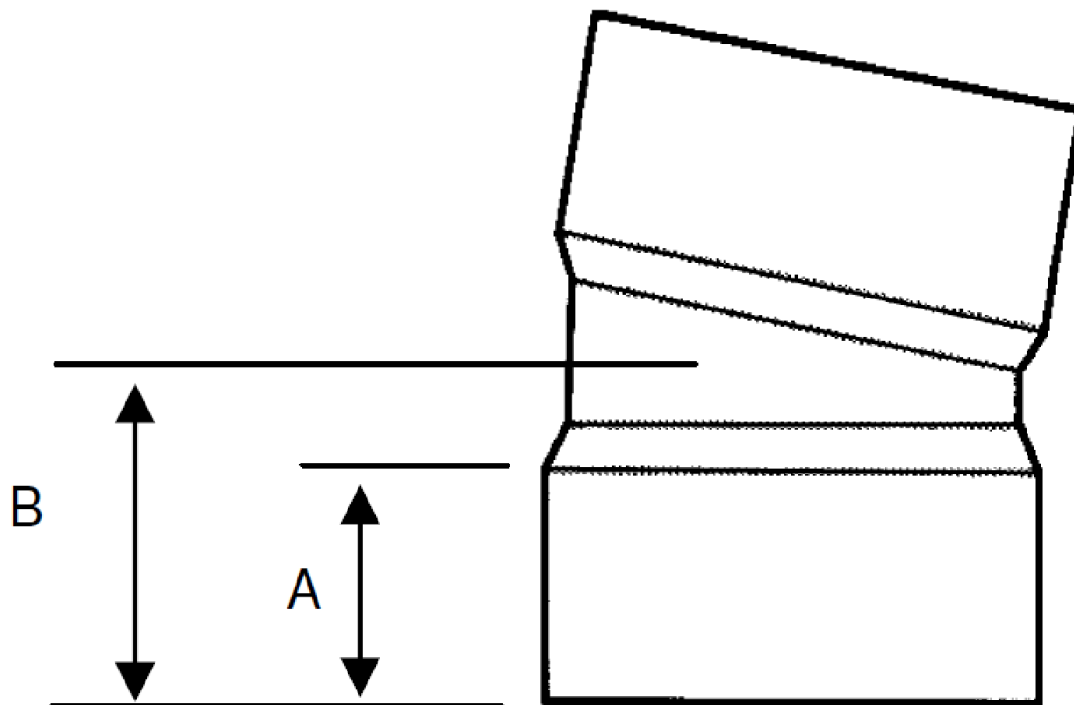


SIGNED DRAWINGS MUST ACCOMPANY PURCHASE ORDER OR DIMENSIONS OF FITTINGS WILL NOT BE GUARANTEED



Size	A	B
4"	2.25	3.5
6"	3.25	3.5
8"	4.25	5.5
10"	5.25	7.25
12"	6.25	8.75
15"	7.75	11.5
18"	9.5	14
21"	11	15.25
24"	12.5	18.25

**DISCLAIMER - PLEASE READ**

- DIMENSIONS AND APPEARANCE ARE APPROXIMATE AND SUBJECT TO CHANGE WITHOUT NOTICE DUE TO DESIGN OR PRODUCTION MODIFICATIONS
- ANGLE TOLERANCE FOR ELBOWS IS +/- 2 DEGREES.
- ALL OTHER DIMENSIONS ARE TO TOLERANCES OF +/- 1"
- ALL FITTINGS ARE SUBJECT TO RBP "STANDARD TERMS AND CONDITIONS"

 **ROYAL** Building Products

[royalbuildingproducts.com](http://royalbuildingproducts.com)

56400 Mound Road, Shelby Township, MI 48316  
Phone (800)232-5690 -- Fax (586)781-0888

PRINTED COPIES ARE FOR REFERENCE ONLY

DATE: 1/23/2015 DRAWN BY: RKS

DATE: 1/23/2015 CHECKED BY: RBP

M1934.S

CUSTOMER

**4" 1/32 BEND (11.25)**  
**PVC SDR26 SW SEWER**  
**4" x 4" HxH**