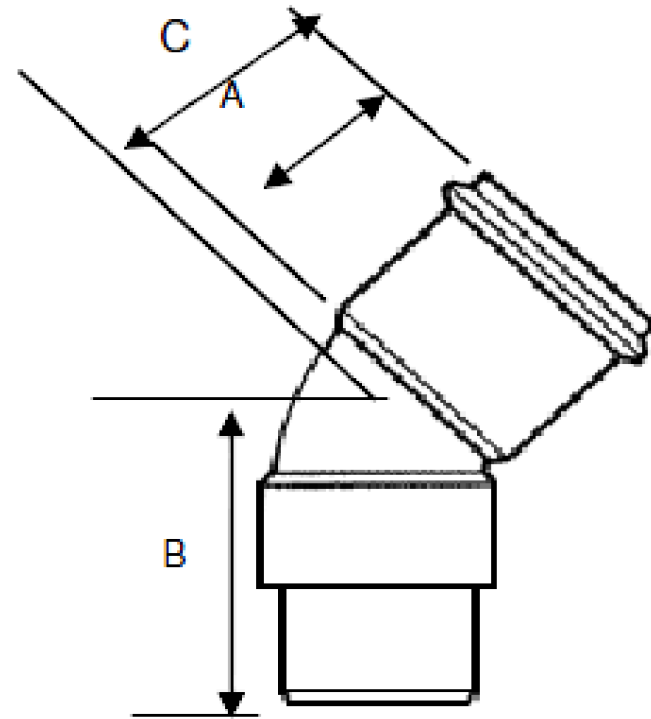


SIGNED DRAWINGS MUST ACCOMPANY PURCHASE ORDER OR DIMENSIONS OF FITTINGS WILL NOT BE GUARANTEED



| SIZE | A    | B    | C  |
|------|------|------|----|
| 10"  | 9.75 | 17.5 | 13 |

**DISCLAIMER - PLEASE READ**

- DUE TO VARIOUS FACTORS AFFECTING PRODUCTION, ALL DIMENSIONS ARE APPROXIMATE
- DIMENSIONS AND APPEARANCE ARE SUBJECT TO CHANGE WITHOUT NOTICE DUE TO DESIGN OR PRODUCTION MONIFICATIONS
- ANGLE TOLERANCE FOR ELBOWS IS +/- 2 DEGREES.
- ALL OTHER DIMENSIONS ARE TO TOLERANCES OF +/- 1"
- ALL FITTINGS ARE SUBJECT TO P.T.I. "STANDARD TERMS AND CONDITIONS"

**PLASTIC TRENDS** .COM  
**ROYAL** Building Products

56400 Mound Road, Shelby Township, MI 48316  
Phone (586)781-2700 Fax (586)781-0888

**10" 1/8 BEND (45) SPIGOTxGASKET**  
**SDR25 NON-PRESSURE**  
**10"x10" SxG**

PRINTED COPIES ARE FOR REFERENCE ONLY

DATE: 7/23/2013

DRAWN BY: BCS

DATE: 7/23/2013

CHECKED BY: PTI

**N25-4010.S**

CUSTOMER