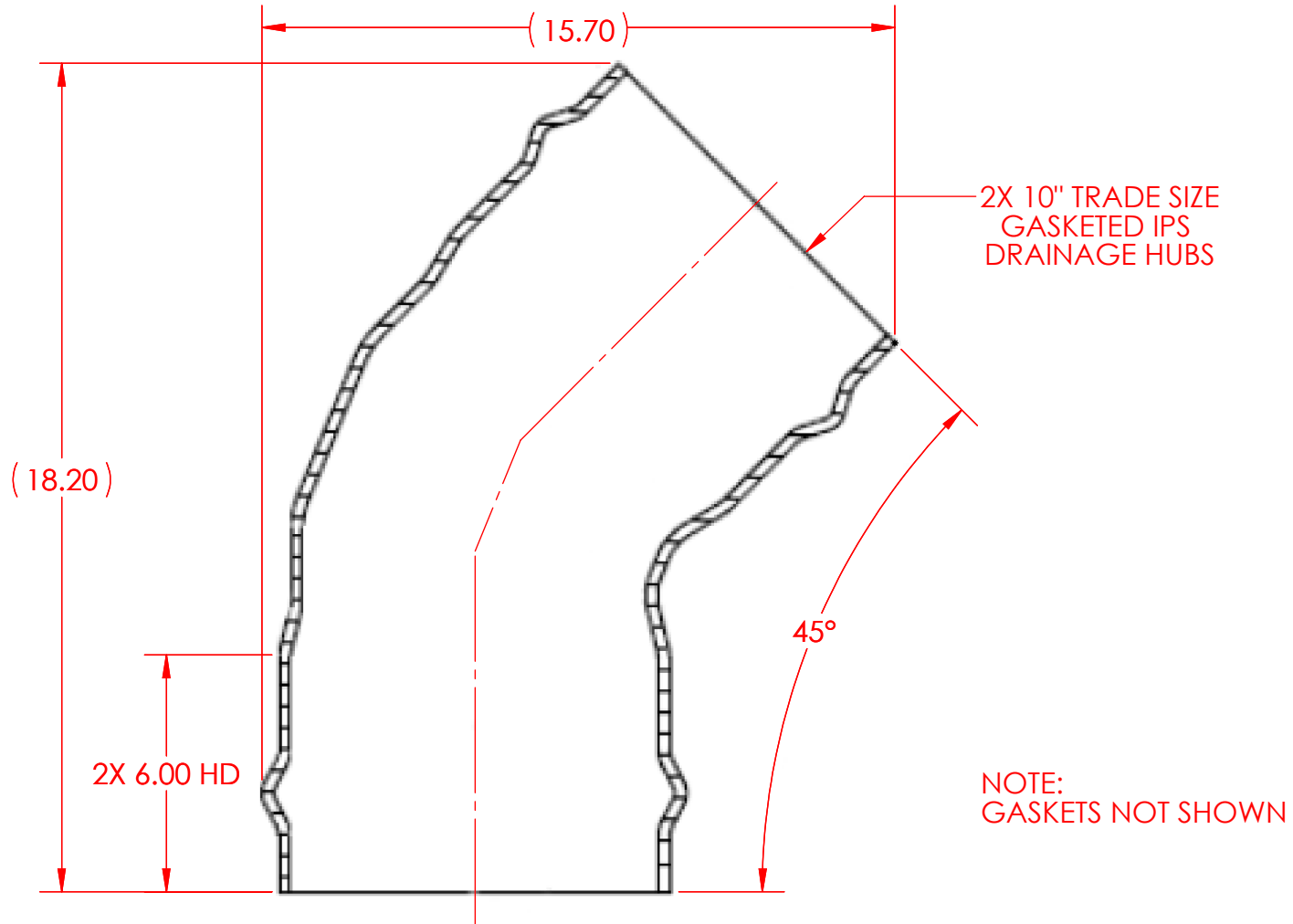


SIGNED DRAWINGS MUST ACCOMPANY PURCHASE ORDER OR DIMENSIONS OF FITTINGS WILL NOT BE GUARANTEED



DISCLAIMER - PLEASE READ

- DIMENSIONS AND APPEARANCE ARE APPROXIMATE AND SUBJECT TO CHANGE WITHOUT NOTICE DUE TO DESIGN OR PRODUCTION MODIFICATIONS
- ANGLE TOLERANCE IS +/- 2 DEGREES.
- ALL OTHER DIMENSIONS ARE TO TOLERANCES OF +/- 1"
- ALL FITTINGS ARE SUBJECT TO NAPCO "STANDARD TERMS AND CONDITIONS"

REF.
21BD4510GG
21BD45-GG-SPEC

NAPCO PIPE & FITTINGS
56400 Mound Road
Shelby Township, MI 48316
U.S.A.
Phone (800) 232-5690 | Fax (586) 781-0888
CSshelby@napcopipe.com | www.napcopipe.com

10" 1/8 BEND (45)
PVC GASKETED IPS DRAINAGE (CLASS 160)
10"x 10" GxG

PRINTED COPIES ARE FOR REFERENCE ONLY
DATE: 9/4/2019 DRAWN BY: GEB
DATE: 9/4/2019 CHECKED BY: NAPCO

T5010.L