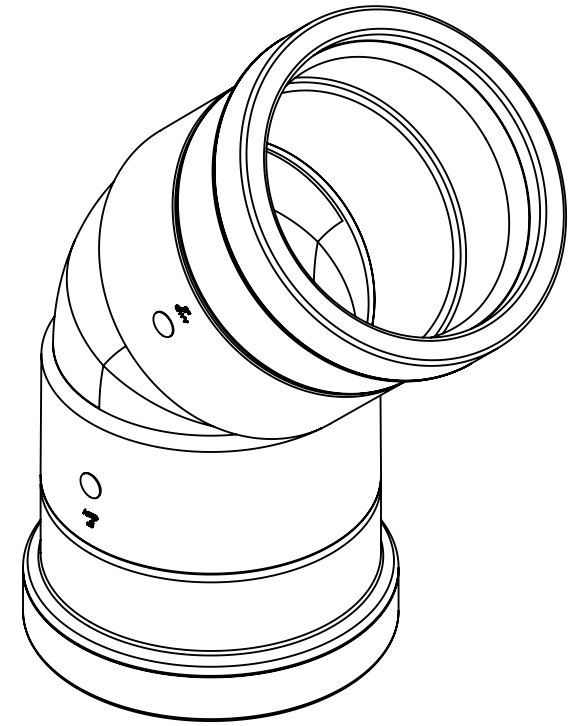
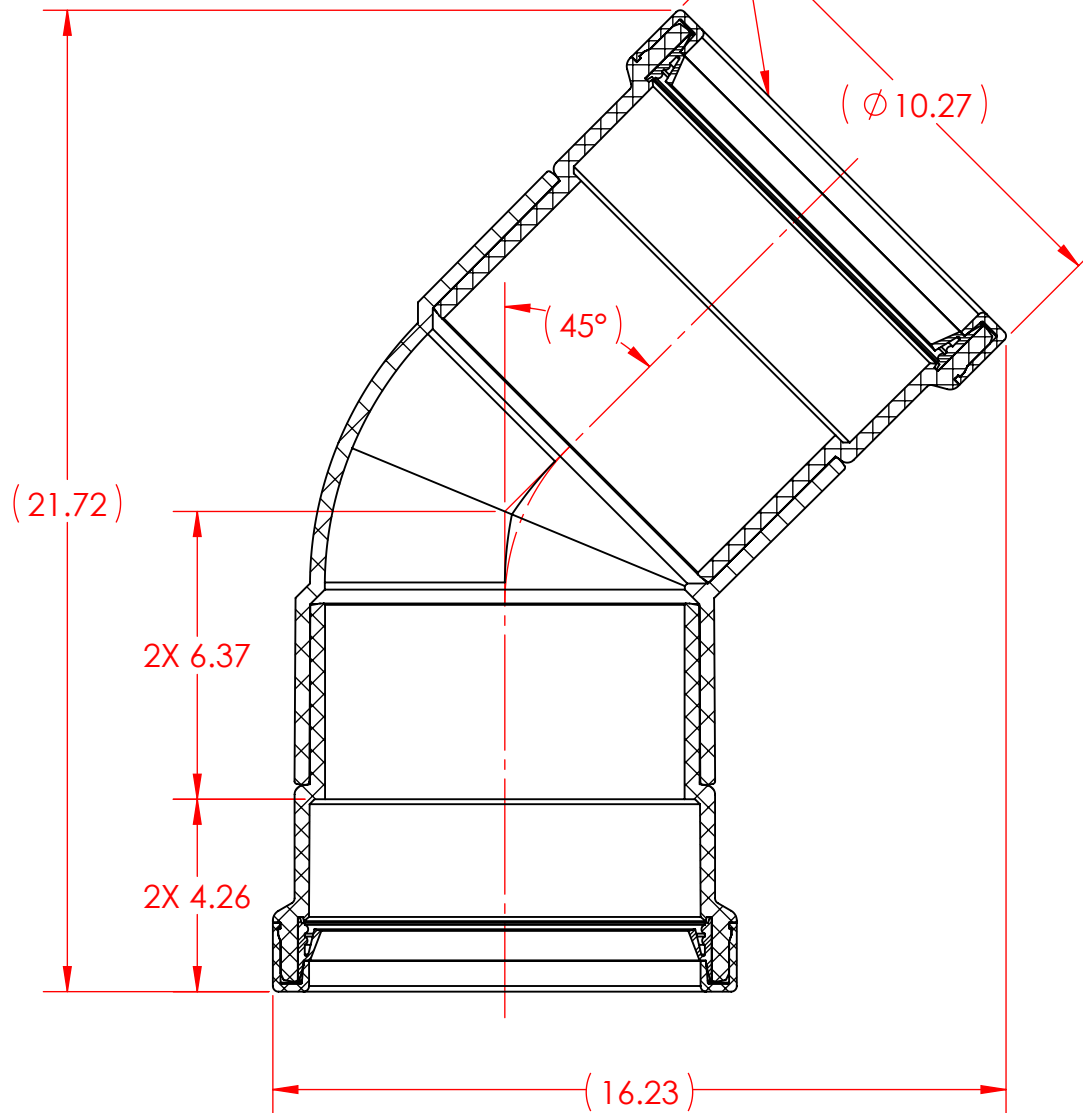


2X 8" TRADE SIZE  
GASKETED IPS  
DRAINAGE HUB



REF.  
ASTM D2665  
CSA B181.2

**NAPCO** PIPE & FITTINGS

56400 Mound Road  
Shelby Township, MI 48316  
U.S.A.  
Phone (800) 232-5690 | Fax (586) 781-0888  
CSshelby@napcopipe.com | www.napcopipe.com

REFERENCE ONLY

FILE NAME:

T508.D01

8" 1/8 BEND (45°)  
PVC GASKETED IPS DRAINAGE (CLASS 160)

8"x 8" GxG