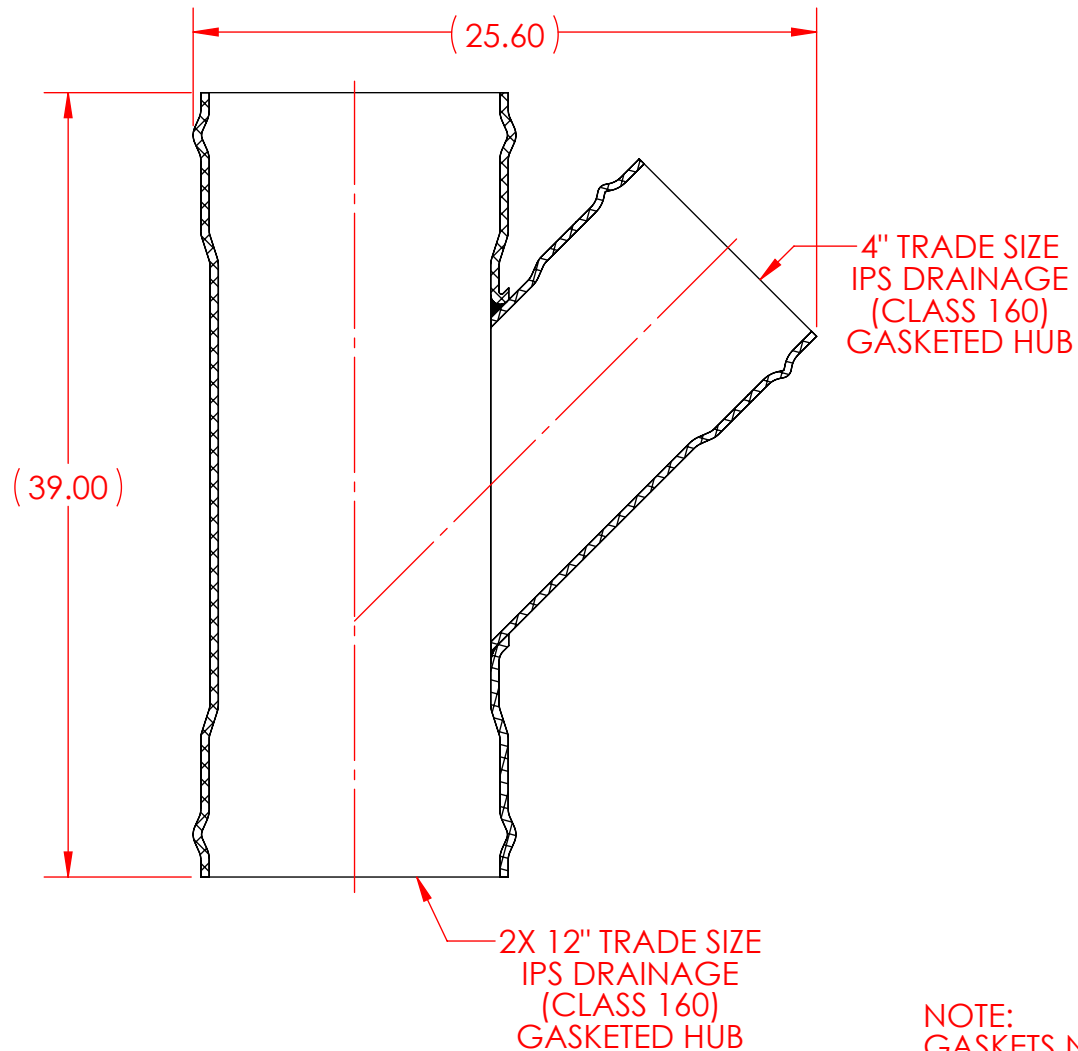


SIGNED DRAWINGS MUST ACCOMPANY PURCHASE ORDER OR DIMENSIONS OF FITTINGS WILL NOT BE GUARANTEED



DISCLAIMER - PLEASE READ

- DIMENSIONS AND APPEARANCE ARE APPROXIMATE AND SUBJECT TO CHANGE WITHOUT NOTICE DUE TO DESIGN OR PRODUCTION MODIFICATIONS
- ANGLE TOLERANCE IS +/- 2 DEGREES.
- ALL OTHER DIMENSIONS ARE TO TOLERANCES OF +/- 1"
- ALL FITTINGS ARE SUBJECT TO RBP "STANDARD TERMS AND CONDITIONS"

REF.
01BD121204GGG
01Q---GGG-SPEC

NOTE:
GASKETS NOT SHOWN

NAPCO PIPE & FITTINGS

56400 Mound Road
Shelby Township, MI 48316
U.S.A.
Phone (800) 232-5690 | Fax (586) 781-0888
CSshelby@napcopipe.com | www.napcopipe.com

**12" 45° WYE with 4" BRANCH
PVC GASKETED IPS DRAINAGE (CLASS 160)
12"x 4" GxGxG**

PRINTED COPIES ARE FOR REFERENCE ONLY

DATE: 3/25/2022 DRAWN BY: RSS
DATE: 3/25/2022 CHECKED BY: NAPCO

T3012-4.L

CUSTOMER