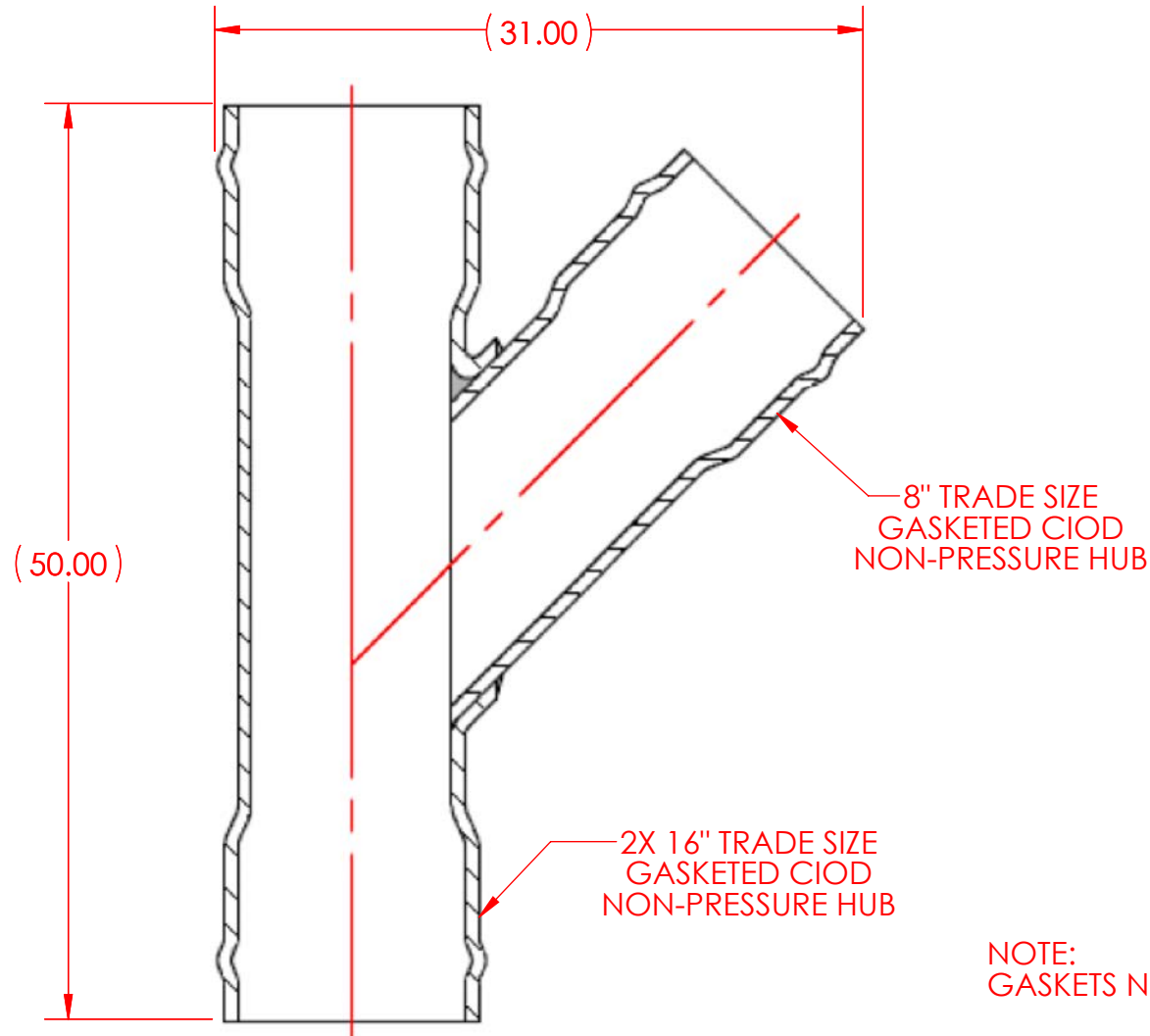


SIGNED DRAWINGS MUST ACCOMPANY PURCHASE ORDER OR DIMENSIONS OF FITTINGS WILL NOT BE GUARANTEED



**DISCLAIMER - PLEASE READ**

- DIMENSIONS AND APPEARANCE ARE APPROXIMATE AND SUBJECT TO CHANGE WITHOUT NOTICE DUE TO DESIGN OR PRODUCTION MODIFICATIONS
- ANGLE TOLERANCE IS +/- 2 DEGREES.
- ALL OTHER DIMENSIONS ARE TO TOLERANCES OF +/- 1"
- ALL FITTINGS ARE SUBJECT TO NAPCO "STANDARD TERMS AND CONDITIONS"

REF.  
01CN161608GGG  
01CN---GGG-SPEC

**NAPCO** PIPE & FITTINGS  
56400 Mound Road  
Shelby Township, MI 48316  
U.S.A.  
Phone (800) 232-5690 | Fax (586) 781-0888  
CSshelby@napcopipe.com | www.napcopipe.com

**16" 45 DEGREE WYE with 8" BRANCH (C900xC900)  
PVC GASKETED CIOD NON-PRESSURE (DR18)**

**16"x 16"x 8" GxGxG**

PRINTED COPIES ARE FOR REFERENCE ONLY  
DATE: 6/24/2022 DRAWN BY: RSS  
DATE: 6/24/2022 CHECKED BY: WPF

**N25-3016-8.L**