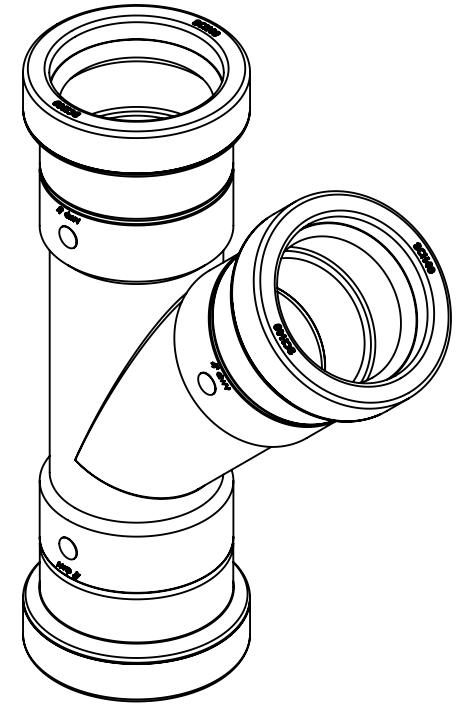
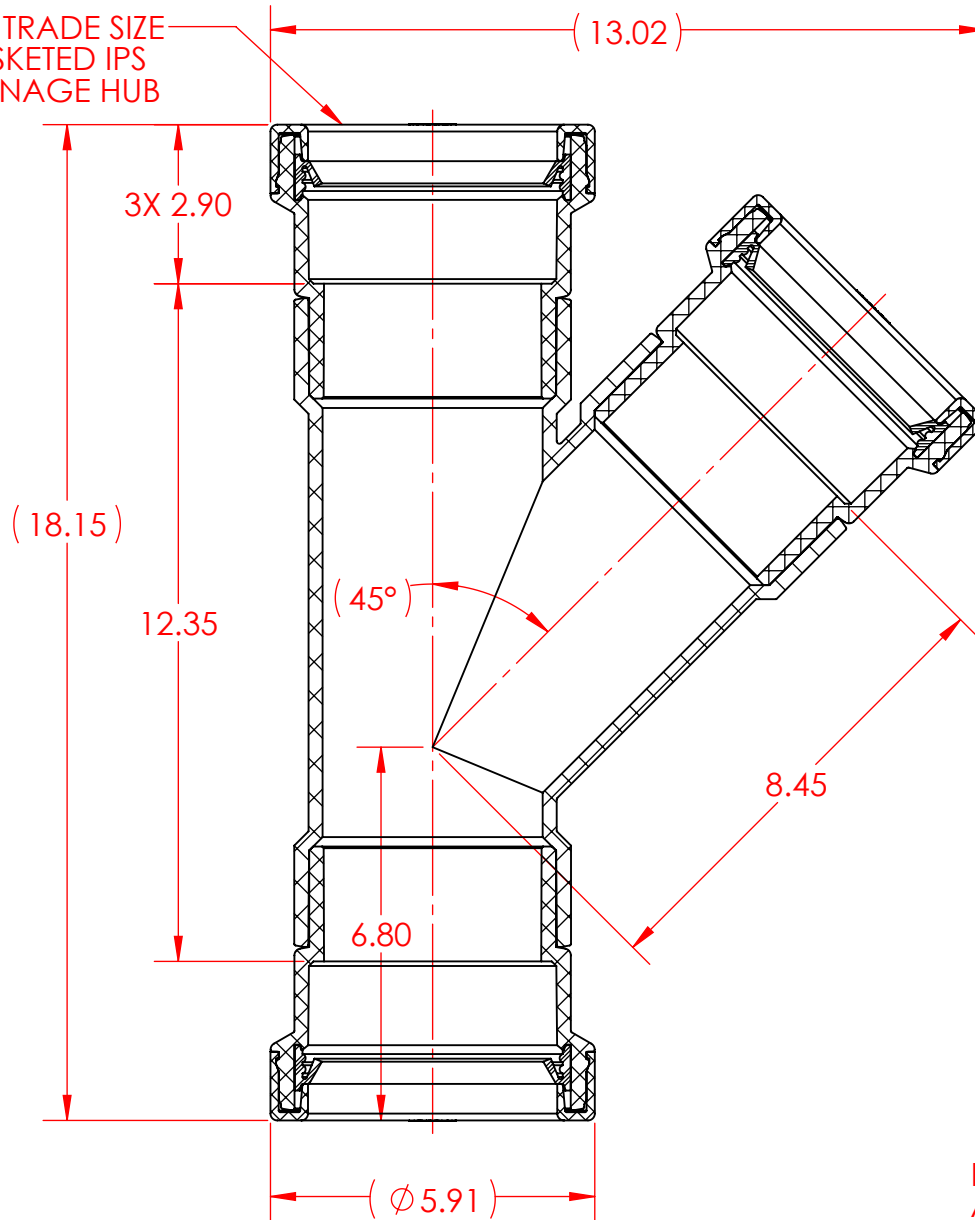


3X 4" TRADE SIZE
GASKETED IPS
DRAINAGE HUB



MOLD #:
ASM

REF.
ASTM D2665
CSA B181.2

NAPCO PIPE & FITTINGS

56400 Mound Road
Shelby Township, MI 48316
U.S.A.
Phone (800) 232-5690 | Fax (586) 781-0888
CSshelby@napcopipe.com | www.napcopipe.com

**4" 45 DEGREE WYE
PVC GASKETED IPS DRAINAGE (CLASS 160)**

4"x 4"x 4" GxGxG

CAD DATA IS MASTER

PRINTED COPIES ARE FOR REFERENCE ONLY

DATE: 2/17/2022 DRAWN BY: GEB

DATE: 2/17/2022 CHECKED BY: RSS

T304.D01