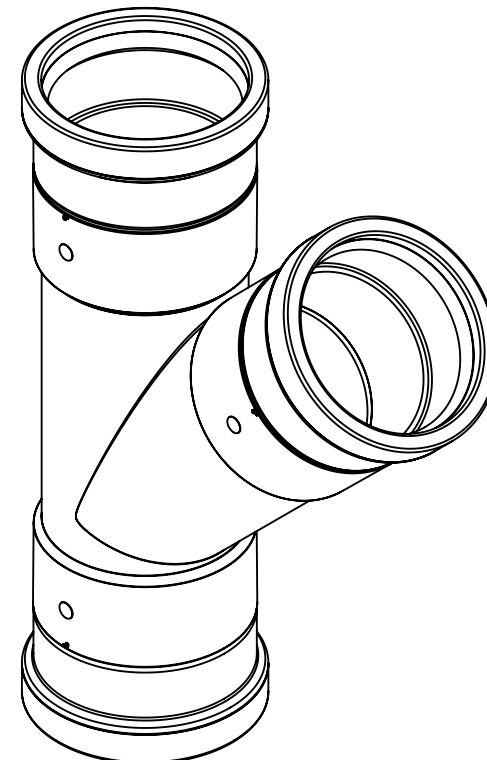
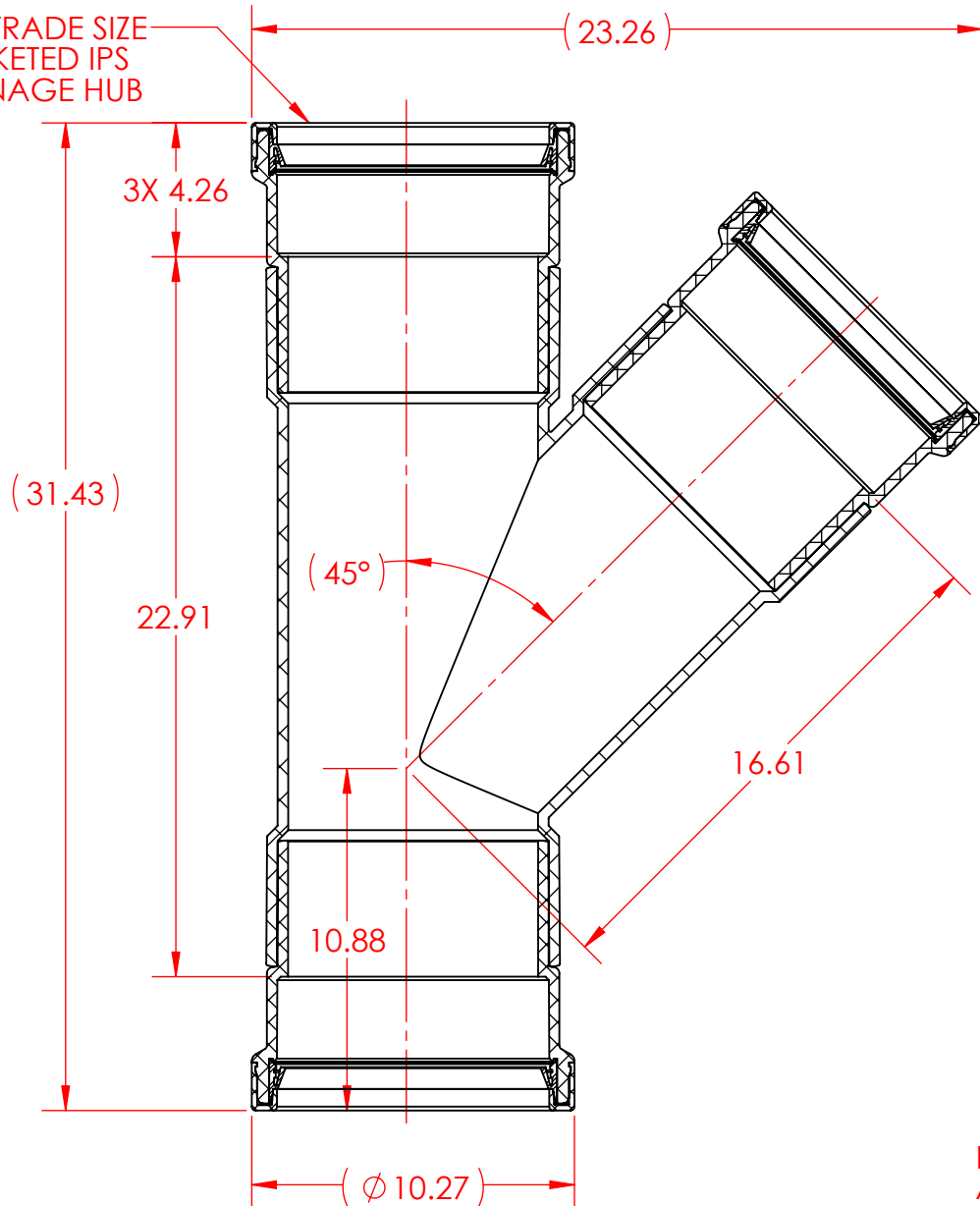


3X 8" TRADE SIZE
GASKETED IPS
DRAINAGE HUB



REF.
ASTM D2665
CSA B181.2

NAPCO PIPE & FITTINGS

56400 Mound Road
Shelby Township, MI 48316
U.S.A.
Phone (800) 232-5690 | Fax (586) 781-0888
CSshelby@napcopipe.com | www.napcopipe.com

**8" 45 DEGREE WYE
PVC GASKETED IPS DRAINAGE (CLASS 160)**

8"x 8"x 8" GxGxG

REFERENCE ONLY

FILE NAME:

T308.D01