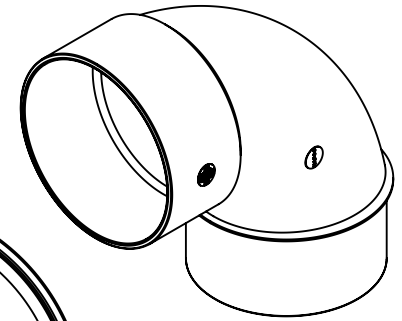
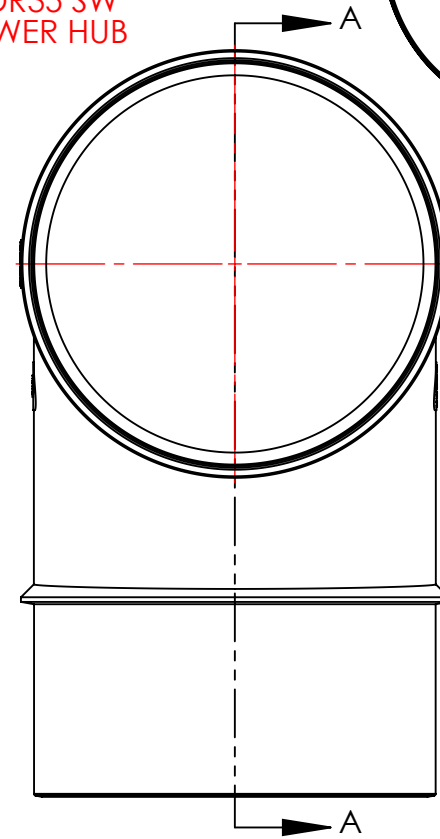


SECTION A-A

6" TRADE SIZE  
SDR35 SW  
SEWER HUB



6" TRADE SIZE  
SDR35 SW  
SEWER SPIGOT

**6" 1/4 BEND (90°) LONG SWEEP  
PVC SDR35 SW SEWER**

**6"x 6" SxH**

**NAPCO** PIPE & FITTINGS

56400 Mound Road  
Shelby Township, MI 48316  
U.S.A.

CSA B182.2  
ASTM D3034

Phone (800) 232-5690 | Fax (586) 781-0888  
CSshelby@napcopipe.com | www.napcopipe.com

REFERENCE ONLY

FILE NAME:

P277.D01