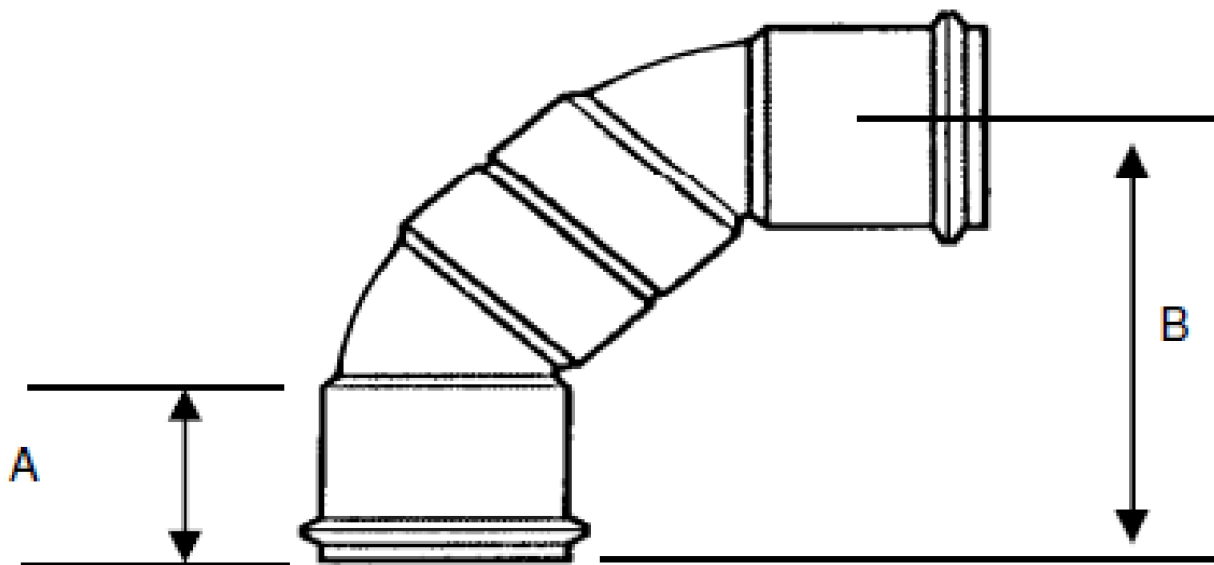


SIGNED DRAWINGS MUST ACCOMPANY PURCHASE ORDER OR DIMENSIONS OF FITTINGS WILL NOT BE GUARANTEED



Size	A	B
18"	9.25	28.5

DISCLAIMER - PLEASE READ

- DUE TO VARIOUS FACTORS AFFECTING PRODUCTION, ALL DIMENSIONS ARE APPROXIMATE
- DIMENSIONS AND APPEARANCE ARE SUBJECT TO CHANGE WITHOUT NOTICE DUE TO DESIGN OR PRODUCTION MONIFICATIONS
- ANGLE TOLERANCE FOR ELBOWS IS +/- 2 DEGREES.
- ALL OTHER DIMENSIONS ARE TO TOLERANCES OF +/- 1"
- ALL FITTINGS ARE SUBJECT TO P.T.I. "STANDARD TERMS AND CONDITIONS"

PLASTIC TRENDS .COM
ROYAL Building Products
56400 Mound Road, Shelby Township, MI 48316
Phone (586)781-2700 Fax (586)781-0888

**18" SDR26 1/4 BEND (90)
LONG SWEEP GxG**

18"x18"

PRINTED COPIES ARE FOR REFERENCE ONLY
DATE: 03-08-2012 DRAWN BY: RSS
DATE: CHECKED BY: PTI

H2518.S

CUSTOMER