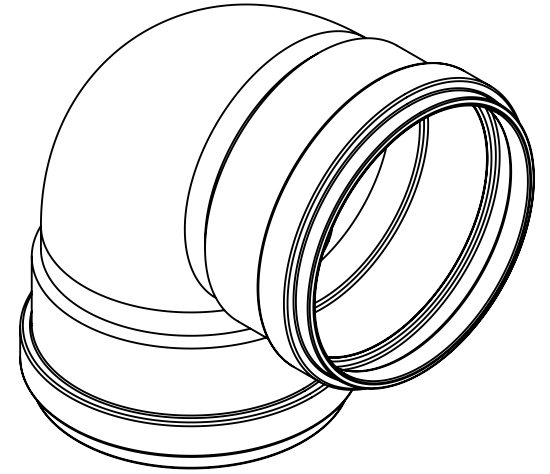


2X 12" TRADE SIZE  
SDR35 GASKETED  
SEWER HUB



NOTE: GASKETS NOT SHOWN

REF. ASTM D3034  
CSA B182.1, B182.2

**12" 1/4 BEND (90) GxG**  
**PVC SDR35 GASKETED SEWER**  
**12" x 12" GxG**

**NAPCO** PIPE & FITTINGS

56400 Mound Road  
Shelby Township, MI 48316  
U.S.A.  
Phone (800) 232-5690 | Fax (586) 781-0888  
CSshelby@napcopipe.com | www.napcopipe.com

REFERENCE ONLY

FILE NAME:

G2012.D01