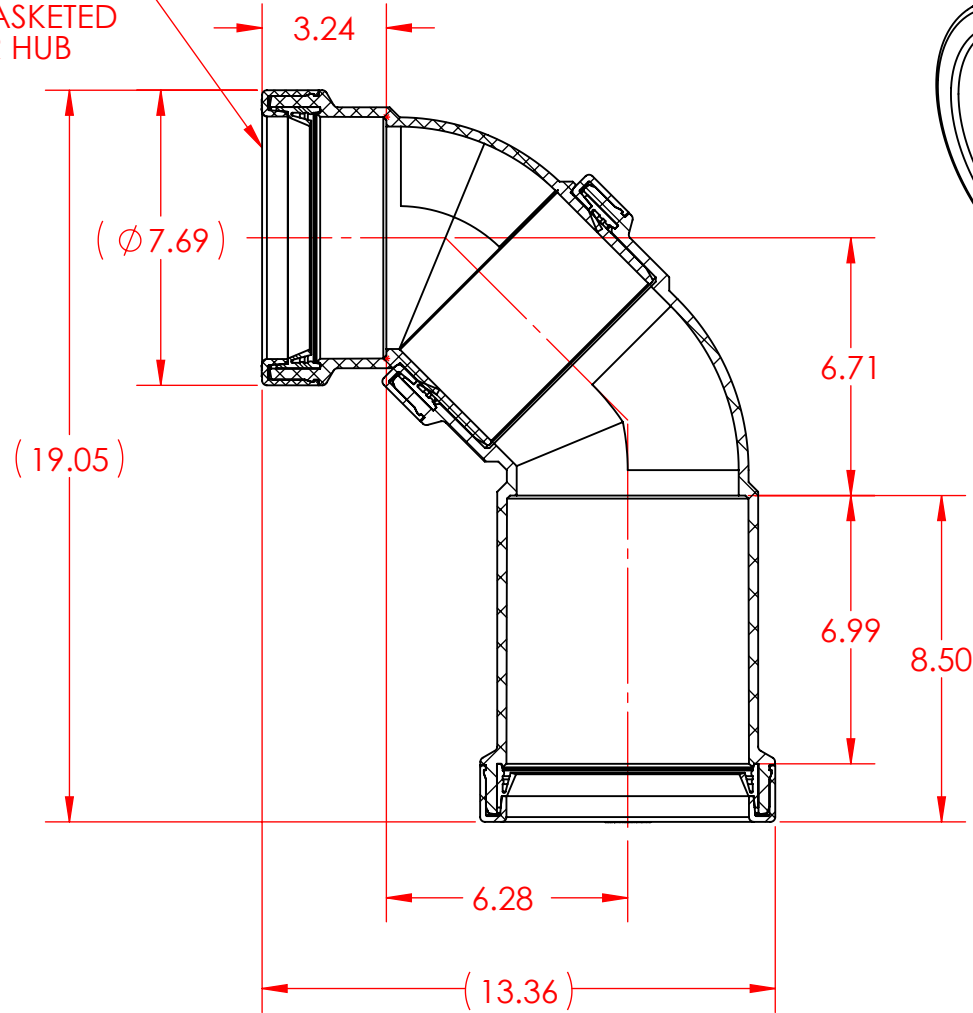
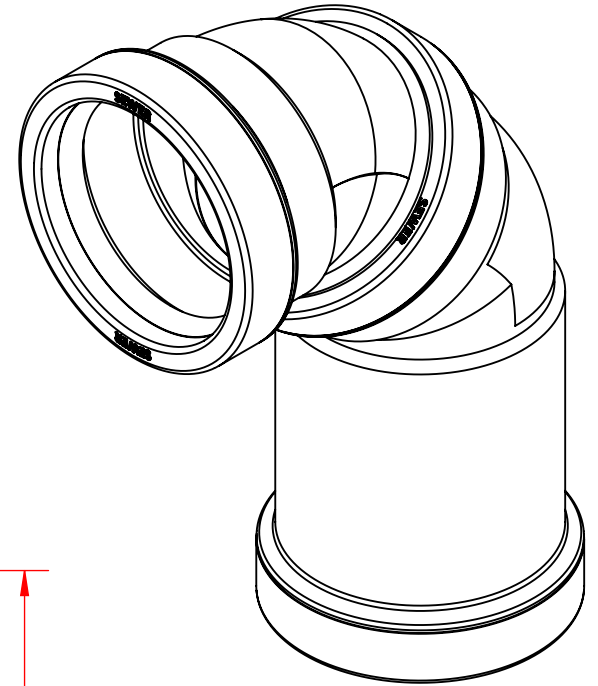


2X 6" TRADE SIZE  
SDR26 GASKETED  
SEWER HUB



SECTION A-A



REF:  
CSA B182.2  
ASTM D3034

**NAPCO** PIPE & FITTINGS

56400 Mound Road  
Shelby Township, MI 48316  
U.S.A.  
Phone (800) 232-5690 | Fax (586) 781-0888  
CSshelby@napcopipe.com | www.napcopipe.com

**6" DEEP SOCKET 1/4 BEND (90°) (2 PIECE ASSEMBLY)  
PVC SDR26 GASKETED SEWER**

**6"x 6" GxG**

REFERENCE ONLY

FILE NAME:

H2577.A01