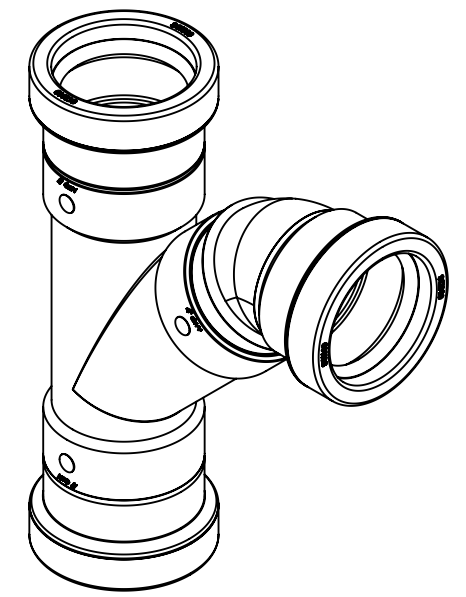


3X 4" TRADE SIZE  
GASKETED IPS  
DRAINAGE HUB



REF.  
ASTM D2665  
CSA B181.2

**NAPCO** PIPE & FITTINGS  
56400 Mound Road  
Shelby Township, MI 48316  
U.S.A.  
Phone (800) 232-5690 | Fax (586) 781-0888  
CSshelby@napcopipe.com | www.napcopipe.com

**4" COMBO WYE & 1/8 BEND (2 PIECE)  
PVC GASKETED IPS DRAINAGE (CLASS 160)**

**4"x 4"x 4" GxGxG**

REFERENCE ONLY  
  
FILE NAME:  
**T1654.D01**