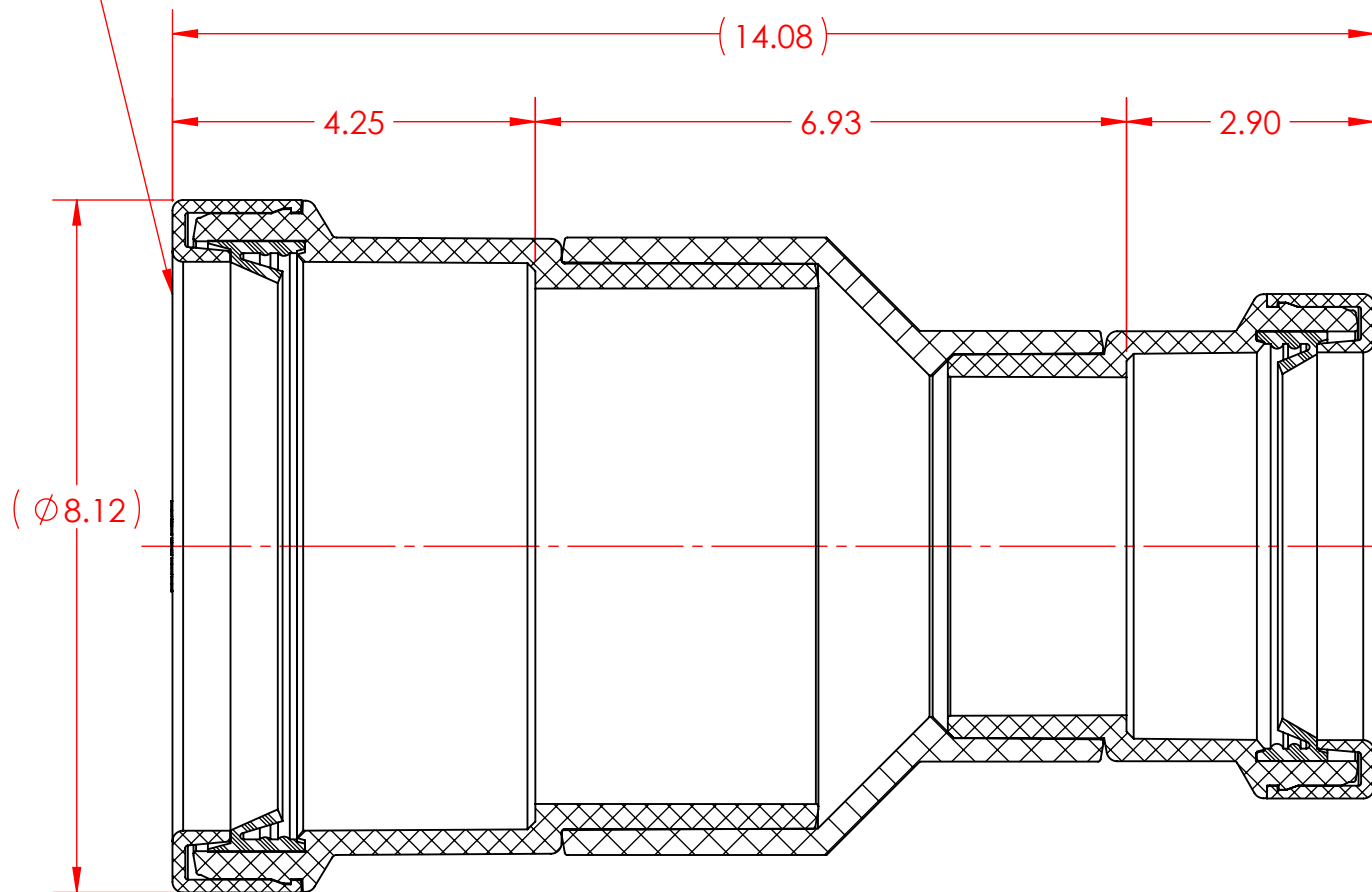


6" TRADE SIZE
GASKETED IPS
DRAINAGE HUB



4" TRADE SIZE
GASKETED IPS
DRAINAGE HUB

REF.
ASTM D2665
CSA B181.2

NAPCO PIPE & FITTINGS

56400 Mound Road
Shelby Township, MI 48316
U.S.A.
Phone (800) 232-5690 | Fax (586) 781-0888
CSshelby@napcopipe.com | www.napcopipe.com

6" CONCENTRIC INCREASER COUPLING
PVC GASKETED IPS DRAINAGE (CLASS 160)

6"x 4" GxG

REFERENCE ONLY

FILE NAME:

T606-4.D01