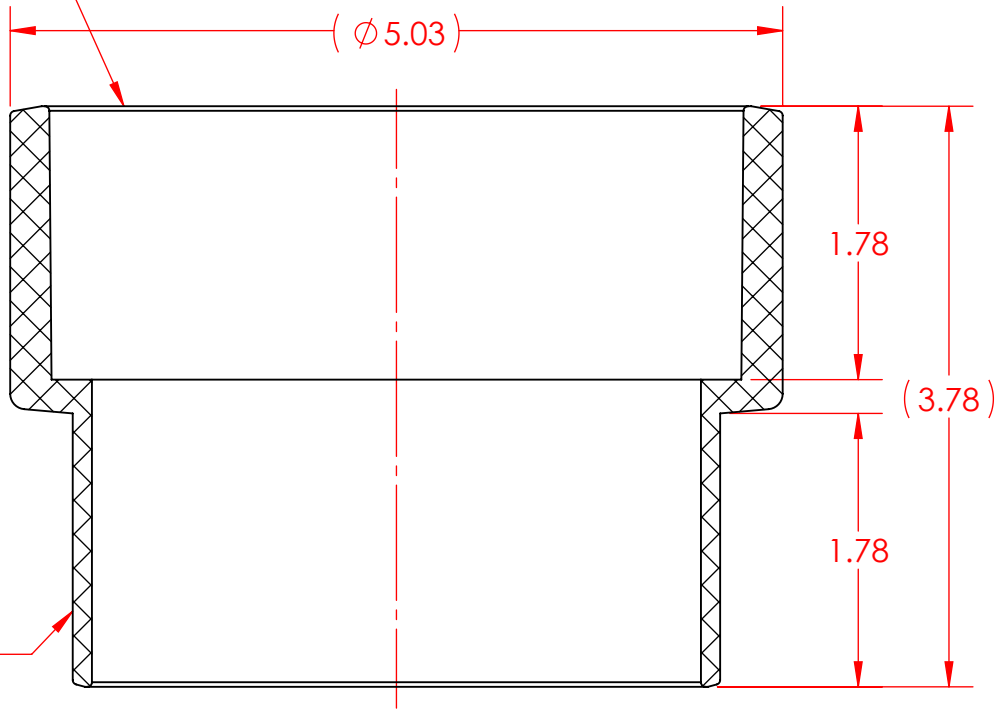
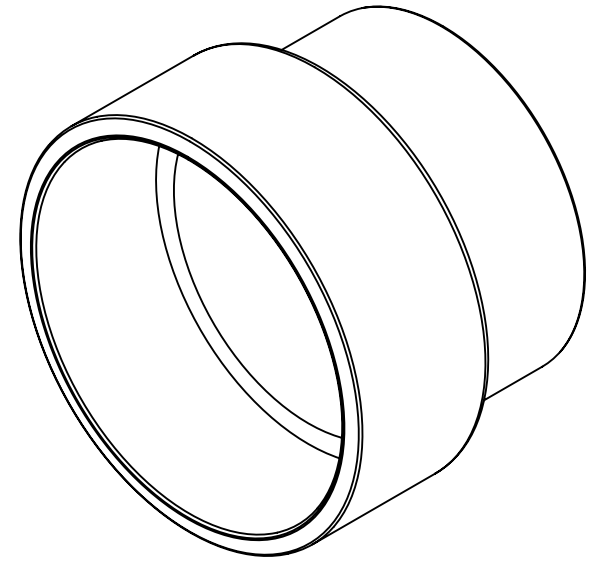


4" TRADE SIZE
SOLVENT WELD
DWV HUB



4" TRADE SIZE
SDR35 SEWER
SW SPIGOT



REF:
CSA B182.2, B181.2
ASTM D3034, D2665

NAPCO PIPE & FITTINGS

56400 Mound Road
Shelby Township, MI 48316
U.S.A.
Phone (800) 232-5690 | Fax (586) 781-0888
CSshelby@napcopipe.com | www.napcopipe.com

**4" DWV ADAPTER BUSHING
PVC SDR35 SW SEWER**

4"x 4" SOLVENT SEWER SPIGOT x SOLVENT DWV HUB

REFERENCE ONLY

FILE NAME:

P1213.D01