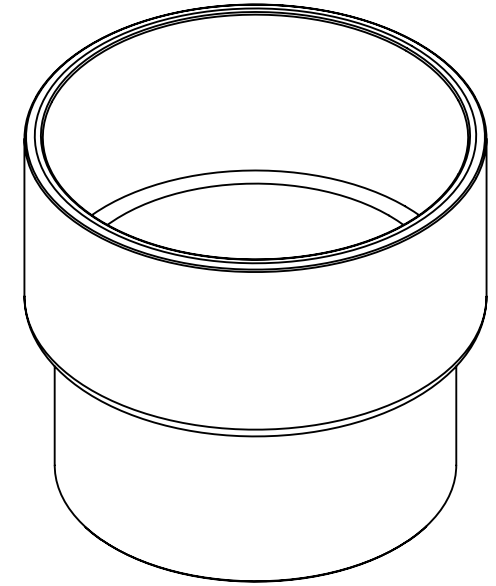
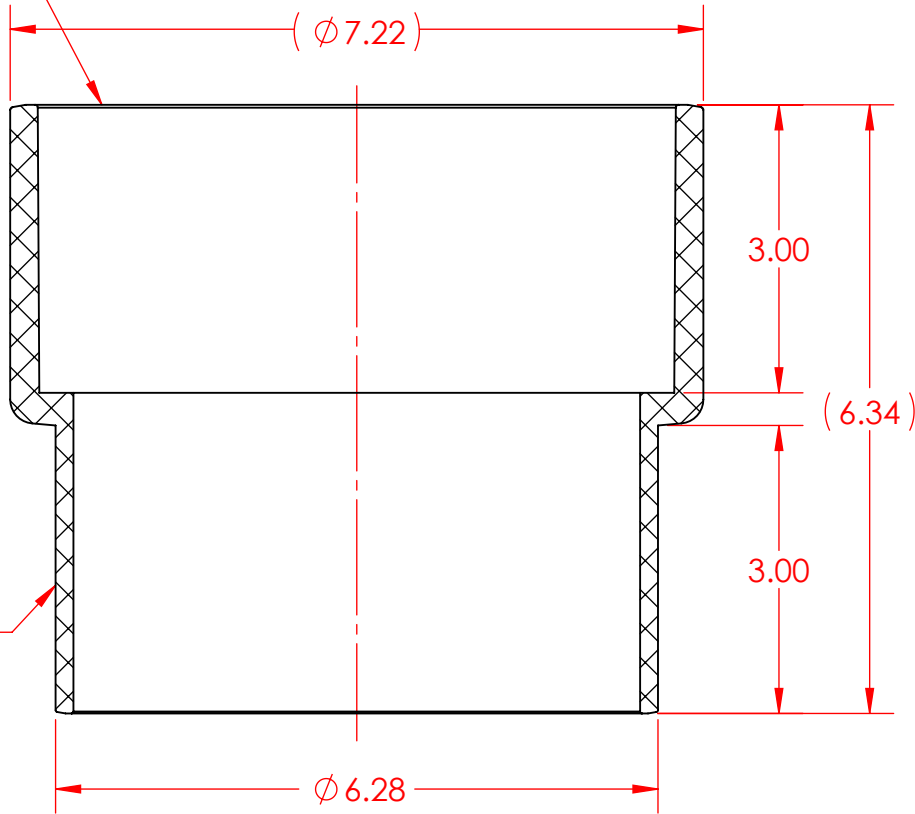


6" TRADE SIZE
SOLVENT WELD
DWV HUB



6" TRADE SIZE
SDR35 SEWER
SW SPIGOT

REF:
CSA B182.2, B181.2
ASTM D3034, D2665

NAPCO PIPE & FITTINGS

56400 Mound Road
Shelby Township, MI 48316
U.S.A.
Phone (800) 232-5690 | Fax (586) 781-0888
CSshelby@napcopipe.com | www.napcopipe.com

6" DWV ADAPTER BUSHING SxH
PVC SDR35 SW SEWER

6"x 6" SOLVENT SEWER SPIGOT x SOLVENT DWV HUB

REFERENCE ONLY

FILE NAME:

P1215.D01