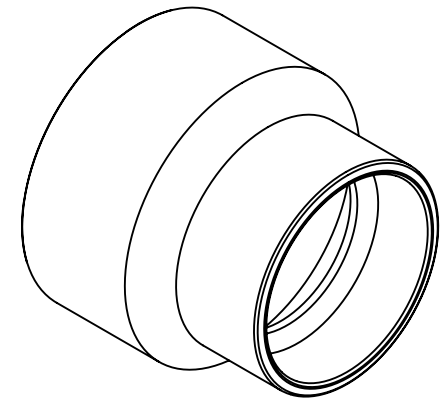


3" TRADE SIZE  
SDR35 SEWER  
SW HUB

2" TRADE SIZE  
SOLVENT WELD  
DWV HUB



REF:  
CSA B182.2, B181.2  
ASTM D3034, D2665

**NAPCO** PIPE & FITTINGS

56400 Mound Road  
Shelby Township, MI 48316  
U.S.A.  
Phone (800) 232-5690 | Fax (586) 781-0888  
CSshelby@napcopipe.com | www.napcopipe.com

**3" DWV ADAPTER COUPLING  
PVC SDR35 SW SEWER**

**3"x 2" SOLVENT SEWER HUB x SOLVENT DWV HUB**

REFERENCE ONLY

FILE NAME:

P652.D01