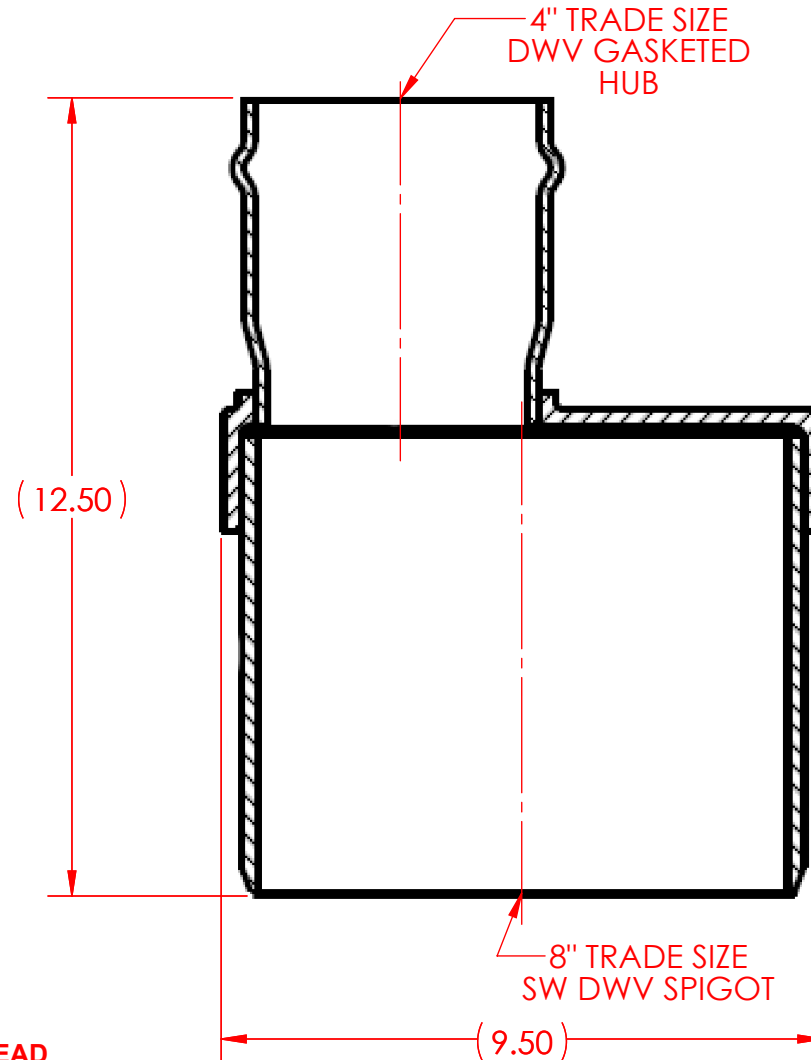


SIGNED DRAWINGS MUST ACCOMPANY PURCHASE ORDER OR DIMENSIONS OF FITTINGS WILL NOT BE GUARANTEED



DISCLAIMER - PLEASE READ

- DIMENSIONS AND APPEARANCE ARE APPROXIMATE AND SUBJECT TO CHANGE WITHOUT NOTICE DUE TO DESIGN OR PRODUCTION MODIFICATIONS
- ANGLE TOLERANCE IS +/- 2 DEGREES.
- ALL OTHER DIMENSIONS ARE TO TOLERANCES OF +/- 1"
- ALL FITTINGS ARE SUBJECT TO NAPCO "STANDARD TERMS AND CONDITIONS"

REF.
49IIN0408GSECC
52BDEIN--HH-SPEC

NAPCO PIPE & FITTINGS

56400 Mound Road
Shelby Township, MI 48316
U.S.A.
Phone (800) 232-5690 | Fax (586) 781-0888
CSshelby@napcopipe.com | www.napcopipe.com

**8" ECCENTRIC INCREASER BUSHING
PVC GASKETED IPS DRAINAGE (CLASS 160)**

8"x 4" SxG

PRINTED COPIES ARE FOR REFERENCE ONLY

DATE: 2/17/2021 DRAWN BY: GEB

DATE: 2/17/2021 CHECKED BY: RSS

T1308-4.L

CUSTOMER