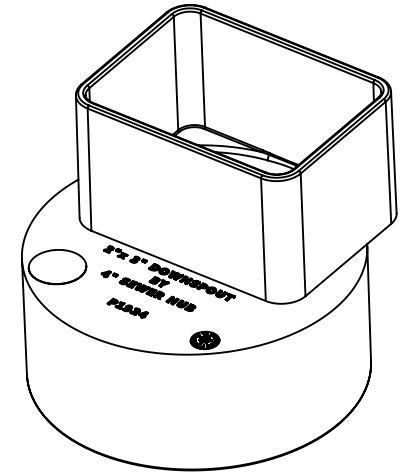


SECTION B-B



4" TRADE SIZE  
SDR35 SEWER  
SW HUB

**NAPCO** PIPE & FITTINGS

56400 Mound Road  
Shelby Township, MI 48316  
U.S.A.  
Phone (800) 232-5690 | Fax (586) 781-0888  
CSshelby@napcopipe.com | www.napcopipe.com

REF:  
CSA B182.2  
ASTM D3034

REFERENCE ONLY

FILE NAME:

P1924.D04

2"x 3"x 4" FLUSHMOUNT DOWNSPOUT ADAPTER  
PVC SDR35 SW SEWER HUB

2"x 3"x 4" DOWNSPOUT x H