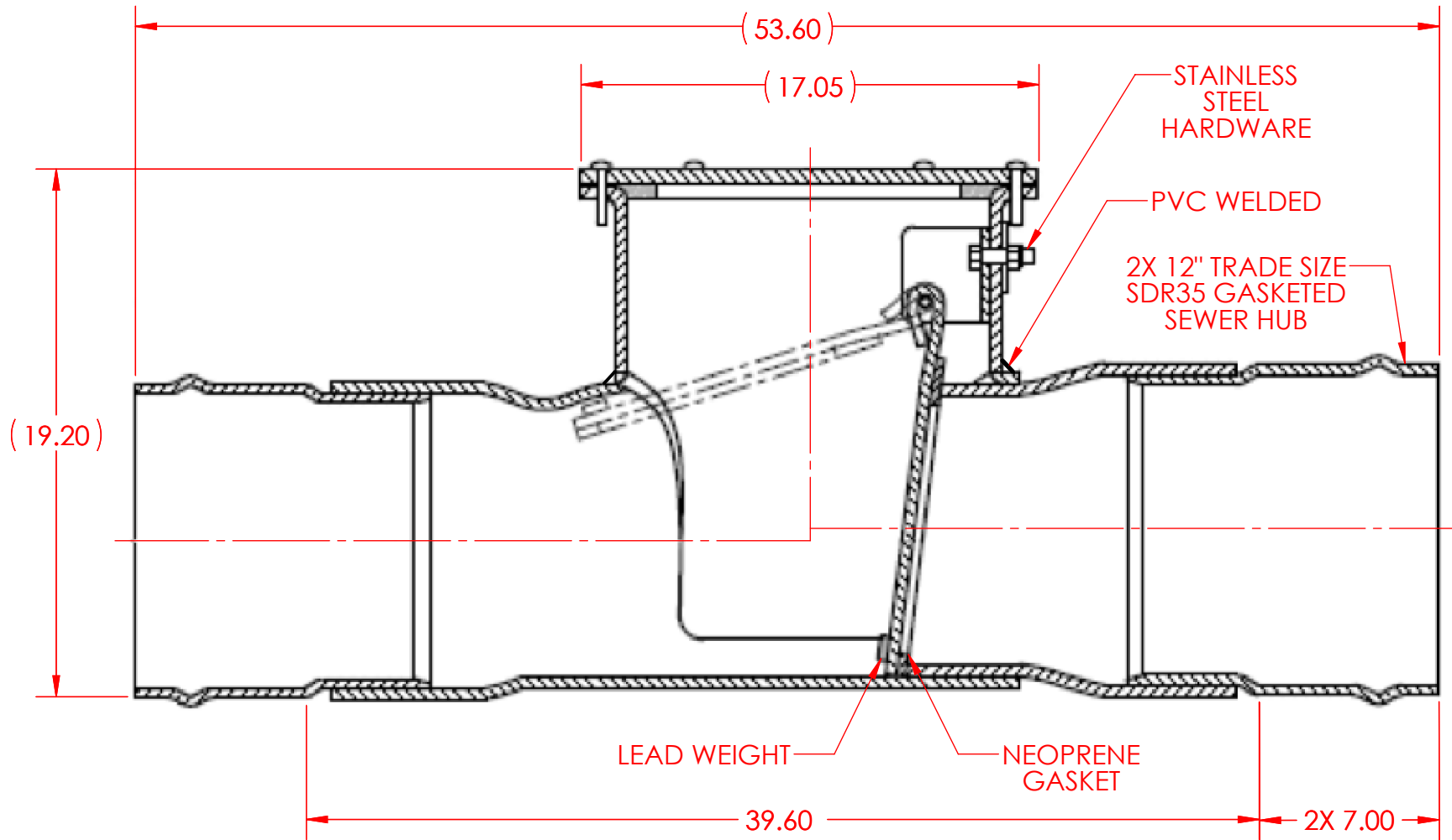


SIGNED DRAWINGS MUST ACCOMPANY PURCHASE ORDER OR DIMENSIONS OF FITTINGS WILL NOT BE GUARANTEED



DISCLAIMER - PLEASE READ

- DIMENSIONS AND APPEARANCE ARE APPROXIMATE AND SUBJECT TO CHANGE WITHOUT NOTICE DUE TO DESIGN OR PRODUCTION MODIFICATIONS
- ANGLE TOLERANCE IS +/- 2 DEGREES.
- ALL OTHER DIMENSIONS ARE TO TOLERANCES OF +/- 1"
- ALL FITTINGS ARE SUBJECT TO NAPCO "STANDARD TERMS AND CONDITIONS"

NOTE:
HUB GASKETS NOT SHOWN

REF.
79ABWV12G
79ABWV--G-SPEC

NAPCO PIPE & FITTINGS

56400 Mound Road
Shelby Township, MI 48316
U.S.A.
Phone (800) 232-5690 | Fax (586) 781-0888
CSshelby@napcopipe.com | www.napcopipe.com

**12" IN-LINE BACKWATER VALVE
PVC SDR35 GASKETED SEWER
12"x 12" GxG**

PRINTED COPIES ARE FOR REFERENCE ONLY

DATE: 4/3/2020 DRAWN BY: GEB
DATE: 4/3/2020 CHECKED BY: RSS

L0112.L