

PRODUCT SPECIFICATION

AQUASPRING™ C900 IB PVC PIPE

Gasketed Integral Bell

Our AquaSpring™ C900 Gasketed Integral Bell PVC Pipe product line is manufactured to meet the needs of modern municipal water, wastewater, and reclaimed water systems. With top quality raw materials and modern processing technology, AquaSpring C900 pipe meets all industry standards in addition to our own rigorous quality control requirements.

AquaSpring C900 pipe utilizes Rieber style gaskets throughout the entire product offering to create a leak-free joint.

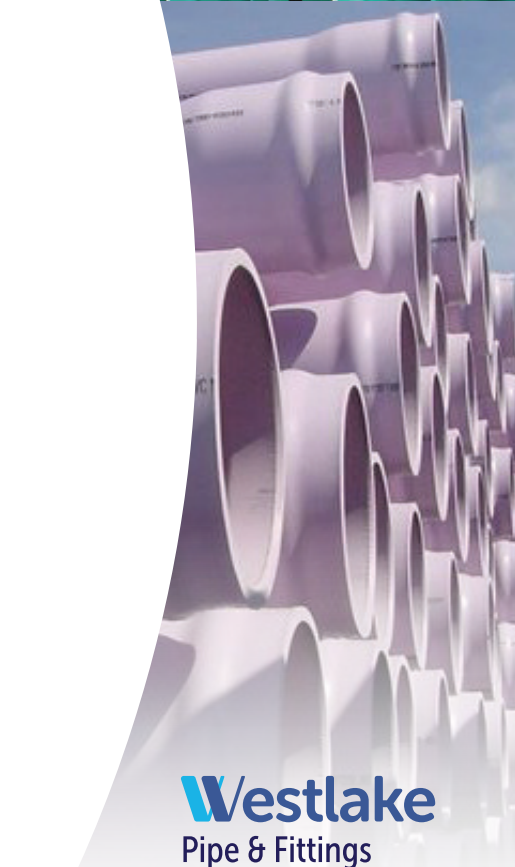
Short Form Specification		
Pipe Standard:	AWWA C900-16	
Diameter Std.:	Cast Iron Outside Diameter (CIOD)	
Nominal Sizes:	4", 6", 8", 10", 12", 14", 16", 18", 20", 24", 30", 36"	
Dimension Ratios & Pressure Ratings	DR 51 – 80 psi DR 41 – 100 psi DR 32.5 – 125 psi DR 25 – 165 psi DR 21 – 200 psi	DR 18 – 235 psi (185 psi)** DR 14 – 305 psi (250 psi)**
Lay Length:	20' [6.1m]	
Pipe Compound:	ASTM D1784 Cell Class 12454	
Pipe Joint Std.:	ASTM D3139	
Max. Angular Joint Deflection:‡	1°	
Gasket Standard:	ASTM F477, UL 157	
Gasket Material Offerings:	Standard – SBR Optional – NBR or EPDM	
Installation Std.:	AWWA C605	

Applications	Potable Water	Wastewater	Reclaimed Water
Color:	Blue	Green	Purple
Certifications:*	NSF 14, NSF 61 CSA B137.3* UL 1285 FM 1612** BNQ 3624-250 (24in)*, BNQ 3660-950 (24in)	CSA B137.3*	CSA B137.3*

*See Certification Letter for full explanation and list of exceptions.

**FM 1612 calculates pressure ratings differently than AWWA for 4"-12" only with DR 18 as 185 psi and DR 14 as 250 psi.

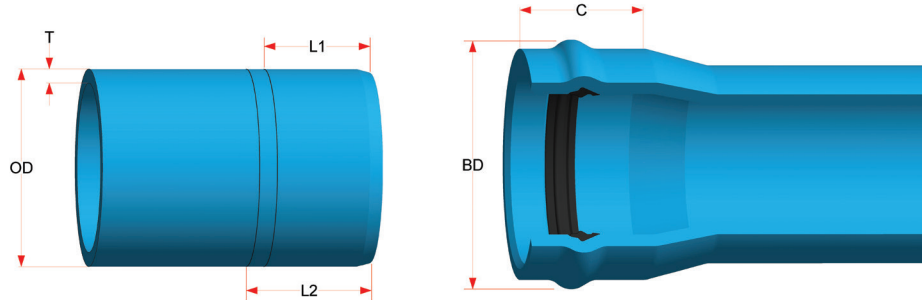
‡See Installation Guide for more information.



PRODUCT SPECIFICATION

AQUASPRING™ C900 IB PVC PIPE

Gasketed Integral Bell



AQUASPRING™ C900 IB PIPE DIMENSIONS & PERFORMANCE

Nom. Size	Outside Diameter (OD)	DR	Pressure Class psi [kPa]	Min. Wall Thickness (T)	Internal Diameter (ID)	Approx. Bell Diameter (BD)	Bell Depth (C)	1 st Insertion Mark (L1)	2 nd Insertion Mark (L2)
4" [100mm]	4.800 [121.9]	25	165 [1150]	0.192 [4.88]	4.416 [112.1]	6.250 [158.8]	5.000 [127]	3.375 [85.7]	4.375 [111.1]
		18	235 [1620]	0.267 [6.78]	4.266 [108.3]				
		14	305 [2130]	0.343 [8.70]	4.114 [104.5]				
6" [150mm]	6.900 [175.3]	25	165 [1150]	0.276 [7.00]	6.348 [161.3]	8.625 [219.1]	5.750 [146.1]	4.625 [117.5]	5.625 [135.3]
		18	235 [1620]	0.383 [9.72]	6.134 [155.9]				
		14	305 [2130]	0.493 [12.50]	5.914 [150.3]				
8" [200mm]	9.050 [229.9]	25	165 [1150]	0.362 [9.20]	8.326 [211.5]	11.500 [292.1]	7.000 [177.8]	5.625 [135.3]	6.625 [168.3]
		18	235 [1620]	0.503 [12.80]	8.044 [204.3]				
		14	305 [2130]	0.646 [16.40]	7.758 [197.1]				
10" [250mm]	11.100 [281.9]	25	165 [1150]	0.444 [11.30]	10.212 [259.3]	14.000 [355.6]	7.250 [184.2]	6.125 [155.6]	7.125 [181.0]
		18	235 [1620]	0.617 [15.70]	9.866 [250.3]				
		14	305 [2130]	0.793 [20.10]	9.514 [241.7]				
12" [300mm]	13.200 [335.3]	25	165 [1150]	0.528 [13.40]	12.144 [308.5]	16.563 [420.7]	8.000 [203.2]	6.875 [174.6]	7.875 [200]
		18	235 [1620]	0.733 [18.60]	11.734 [298.1]				
		14	305 [2130]	0.943 [23.90]	11.314 [287.5]				
14" [350mm]	15.300 [388.6]	32.5	125 [860]	0.471 [12.0]	14.358 [364.7]	19.063 [484.2]	9.000 [228.6]	7.500 [190.5]	8.500 [215.9]
		25	165 [1150]	0.612 [15.6]	14.076 [357.5]				
		21	200	0.729	13.842				
		18	235 [1620]	0.850 [21.6]	13.600 [345.4]				
		14	305	1.093	13.114				
16" [400mm]	17.400 [442.0]	41	100	0.424	16.552	21.750 [552.5]	10.000 [254.0]	8.500 [215.9]	9.500 [241.3]
		32.5	125 [860]	0.535 [13.6]	16.330 [414.8]				
		25	165 [1150]	0.696 [17.7]	16.008 [406.6]				
		21	200	0.829	15.742				
		18	235 [1620]	0.967 [24.6]	15.466 [392.8]				
		14	305	1.243	14.914				

PRODUCT SPECIFICATION

AQUASPRING™ C900 IB PVC PIPE

Gasketed Integral Bell

AQUASPRING™ C900 IB PIPE DIMENSIONS & PERFORMANCE									
Nom. Size	Outside Diameter (OD)	DR	Pressure Class psi [kPa]	Min. Wall Thickness (T)	Internal Diameter (ID)	Approx. Bell Diameter (BD)	Bell Depth (C)	1 st Insertion Mark (L1)	2 nd Insertion Mark (L2)
18" [450mm]	19.500 [459.3]	41	100	0.476	18.548	23.563 [598.5]	10.375 [263.5]	8.875 [225.4]	9.875 [250.8]
		32.5	125 [860]	0.600 [15.2]	18.300 [464.8]				
		25	165 [1150]	0.780 [19.8]	17.940 [455.7]				
		21	200	0.929	17.642				
		18	235 [1620]	1.083 [27.5]	17.334 [440.3]				
20" [500mm]	21.600 [548.6]	32.5	125 [860]	0.665 [16.9]	20.270 [514.9]	26.063 [662.0]	11.000 [279.4]	9.500 [241.3]	10.500 [266.7]
		25	165 [1150]	0.864 [22.0]	19.872 [504.7]				
		21	200	1.029	19.542				
		18	235 [1620]	1.200 [30.5]	19.200 [487.7]				
24" [600mm]	25.800 [655.3]	41	100	0.629	24.542	31.063 [789.0]	13.000 [330.2]	11.500 [292.1]	12.500 [317.5]
		32.5	125 [860]	0.794 [20.2]	24.212 [615.0]				
		25	165 [1150]	1.032 [26.2]	23.736 [602.9]				
		21	200	1.229	23.342				
		18	235 [1620]	1.433 [36.4]	22.934 [582.5]				
30" [750mm]	32.000 [812.8]	51	80 [550]	0.627 [15.90]	30.746 [781]	37.500 [952.5]	15.125 [384.2]	13.625 [346.1]	14.625 [371.5]
		41	100 [650]	0.780 [19.80]	30.440 [771.4]				
		32.5	125 [860]	0.985 [25.00]	30.030 [762.8]				
		25	165 [1150]	1.280 [32.50]	29.440 [747.8]				
		21	200	1.524	28.952				
		18	235 [1620]	1.778 [45.20]	28.444 [722.4]				
36" [900mm]	38.300 [972.8]	51	80 [550]	0.751 [19.10]	36.798 [934.6]	44.500 [1130.3]	19.125 [485.8]	17.625 [447.7]	18.625 [473.1]
		41	100 [650]	0.934 [23.70]	36.432 [925.4]				
		32.5	125 [860]	1.178 [29.90]	35.944 [913.0]				
		25	165 [1150]	1.532 [38.90]	35.236 [895.0]				
		21	200	1.824	34.652				

Notes:

1. These dimensions are for estimating purposes only. All dimensions not in brackets are in inches unless otherwise specified.
2. Products certified to CSA B137.3 have dimensions in brackets in millimeters unless otherwise specified.
3. DR = Dimension Ratio
4. AWWA and CSA Pressure Class @ 73°F [23°C] which includes a 2:1 safety factor.
5. Internal diameter calculated using nominal outside diameter and minimum wall thickness.
6. Dimension given for Approx. Bell Diameter (BD) is for highest pressure class.