

PRODUCT SPECIFICATION

ASTM D3034/IB PVC GRAVITY SEWER PIPE

Gasketed Integral Bell

Our ASTM D3034 Gasketed Integral Bell PVC Pipe product line is manufactured to meet the needs of modern municipal waste water systems, storm water drainage systems, and other non-pressure applications. With top quality raw materials and modern processing technology, our ASTM D3034 pipe meets all industry standards in addition to our own rigorous quality control requirements.

Our D3034 pipe utilizes Rieber style gaskets throughout the entire product offering to create a leak-free joint.

SHORT FORM SPECIFICATION

Pipe Standard:	ASTM D3034
Diameter Std.:	PSM
Nominal Sizes:	4", 6", 8", 10", 12", 15"
Dimension Ratios & Pipe Stiffness:	SDR 35 – 46 psi SDR 26 – 115 psi SDR 23.5 – 153 psi
Pressure Ratings:	Not rated for pressure applications
Lay Length:	14' or 20'
Color:	Green
Pipe Compound:	ASTM D1784 Cell Class 12454 or 12364
Pipe Options:	Solid Wall 2 Hole Perforated 3 Hole Perforated
Pipe Joint Std.:	ASTM D3212
Max. Angular Joint Deflection:‡	1°
Gasket Standard:	ASTM F477
Gasket Material Offerings:	Standard – SBR Optional – NBR or EPDM
Certifications:	IAPMO Uniform Plumbing Code*
Installation Std.:	ASTM D2321

*IAPMO Uniform Plumbing Code listed products must be requested at time of order.

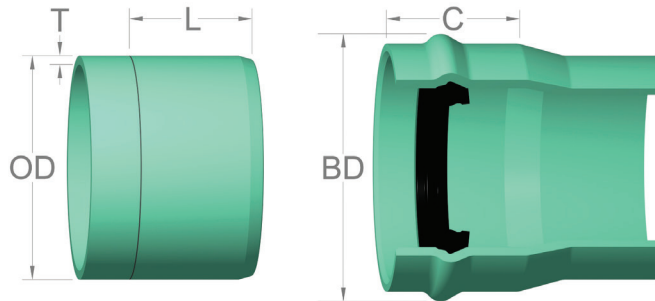
‡See Installation Guide for more information.



PRODUCT SPECIFICATION

ASTM D3034/IB PVC GRAVITY SEWER PIPE

Gasketed Integral Bell



D3034/IB PIPE DIMENSIONS & PERFORMANCE

Nom. Size	Outside Diameter (OD)	SDR	Pipe Stiffness (psi)	Min. Wall Thickness (T)	Internal Diameter (ID)	Approx. Bell Diameter (BD)	Bell Depth (C)	Insertion Mark (L)
4"	4.215	35	46	0.120	3.975	5.000	3.750	3.125
		26	115	0.162	3.891			
		23.5	153	0.178	3.859			
6"	6.275	35	46	0.180	5.915	7.375	4.625	4.000
		26	115	0.241	5.793			
		23.5	153	0.265	5.745			
8"	8.400	35	46	0.240	7.920	9.625	5.250	4.125
		26	115	0.323	7.754			
10"	10.500	35	46	0.300	9.900	12.250	5.875	5.125
		26	115	0.404	9.692			
12"	12.500	35	46	0.360	11.780	14.375	6.500	5.375
		26	115	0.481	11.538			
15"	15.300	35	46	0.437	14.426	17.500	7.750	7.375
		26	115	0.588	14.125			

Notes:

1. These dimensions are for estimating purposes only. All dimensions are in inches unless otherwise specified.
2. SDR = Standard Dimension Ratio
3. ASTM Pressure Rating @ 73°F and includes 2:1 safety factor.
4. Internal diameter calculated using nominal outside diameter and minimum wall thickness.
5. Dimension given for Approx. Bell Diameter (BD) is for highest pressure rating.

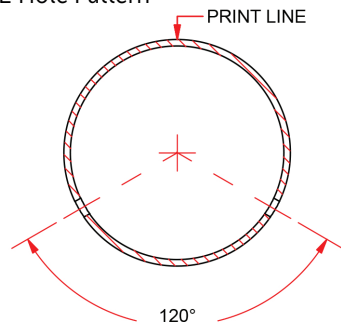
PRODUCT SPECIFICATION

ASTM D3034/IB PVC GRAVITY SEWER PIPE

Gasketed Integral Bell

D3034/IB PIPE PERFORATION PATTERNS					
Nom. Size	Perforation Rows	Circumferential Hole Spacing	Longitudinal Hole Spacing (in)	Hole Diameter (in)	Inlet Area (in ² /ft pipe)
4"	2	120°	5.000	0.500	0.942
				0.625	1.473
	3	60°-60°	5.000	0.500	1.414
				0.625	2.209
6"	2	120°	5.000	0.500	0.942
				0.625	1.473
	3	60°-60°	5.000	0.500	1.414
				0.625	2.209
8"	2	120°	5.000	0.500	0.942
				0.625	1.473
	3	60°-60°	5.000	0.500	1.414
				0.625	2.209

2 Hole Pattern



3 Hole Pattern

