

PRODUCT SPECIFICATION

# AWWA C909/IB PVCO PRESSURE PIPE

## Gasketed Integral Bell

Our AWWA C909 Gasketed Integral Bell (IB) PVCO Pipe product line is manufactured to meet the needs of modern municipal water, wastewater, and reclaimed water systems. With top quality raw materials and modern processing technology, our C909 pipe meets all industry standards in addition to our own rigorous quality control requirements.

Compared to C900 pipe, C909 pipe meets the same performance standard with a thinner wall, resulting in approximately 40% less weight and approximately 10% more flow area (when PC 235 is compared to DR18).

Our C909 pipe utilizes Anger-Lock™-style gaskets throughout the entire product offering to create a leak-free joint.



SHORT FORM SPECIFICATION

Pipe Standard:	AWWA C909-16
Diameter Std.:	Cast Iron Outside Diameter (CIOD)
Nominal Sizes:	6", 8", 10", 12"
Pressure Classes:	235 psi [1,620 kPa]
Lay Length:	20' [6.1m]
Pipe Compound:	ASTM D1784 Cell Class 12454
Pipe Joint Std.:	ASTM D3139
Max. Angular Joint Deflection:	1 Degree
Gasket Standard:	ASTM F477, UL 157*
Gasket Material Offerings:	EPDM
Installation Std.:	AWWA C605, Pressure Pipe & Fittings Installation Guide
Hydrostatic Design Basis:	7,100 psi (Finished PVCO Pipe) 4,000 psi (PVC Starting Stock Pipe)

Applications	Potable Water	Wastewater	Reclaimed Water
Color:	Blue	Green	Purple
Certifications:**	NSF 61, NSF 14 CSA B137.3.1 UL 1285 FM 1612 BNQ 3660-950	CSA B137.3.1*	CSA B137.3.1*

\*Coming soon  
\*\*See Certification Letter for full explanation and list of exceptions.  
Each length of pipe is shipped factory sealed on both ends.

Anger-Lock™ is a trademark of Trelleborg Incorporated

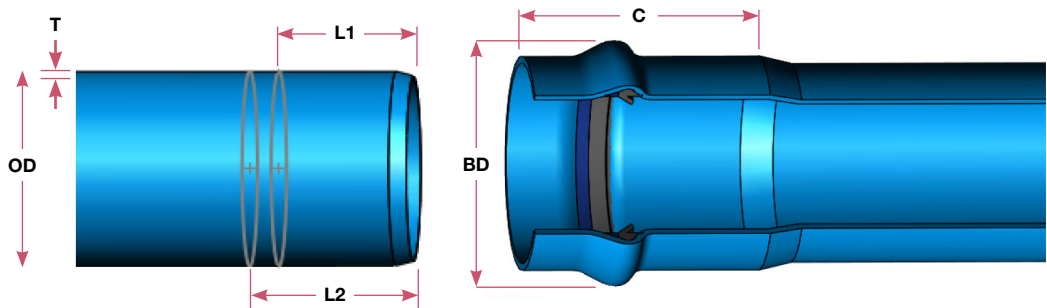


Only products bearing the NSF Mark are Certified C909-16

PRODUCT SPECIFICATION

# AWWA C909/IB PVCO PRESSURE PIPE

## Gasketed Integral Bell



C909/IB PIPE DIMENSIONS & PERFORMANCE

Nom. Size	Nominal Outside Diameter (OD)	Pressure Class psi [kPa]	Min. Wall Thickness (T)	Internal Diameter (ID)	Approx. Bell Diameter (BD)	Bell Depth (C)	1 <sup>st</sup> Insertion Mark (L1)	2 <sup>nd</sup> Insertion Mark (L2)
6" [150mm]	6.900 [175]	235 [1,620]	0.222 [5.64]	6.458 [164]	8.503 [216]	7.16 [182]	4.625 [117]	5.625 [143]
8" [200mm]	9.050 [230]	235 [1,620]	0.290 [7.36]	8.470 [215]	10.862 [276]	7.98 [203]	5.625 [143]	6.625 [168]
10" [250mm]	11.100 [282]	235 [1,620]	0.356 [9.03]	10.388 [264]	13.344 [339]	9.25 [235]	6.125 [156]	7.125 [181]
12" [300mm]	13.200 [335]	235 [1,620]	0.423 [10.74]	12.354 [314]	15.618 [397]	9.72 [247]	6.875 [175]	7.875 [200]

Notes:

1. These dimensions are for estimating purposes only. All dimensions not in brackets are in inches unless otherwise specified.
2. Products have dimensions in brackets in millimeters unless otherwise specified.
3. AWWA and CSA Pressure Class @ 73°F [23°C] which includes a 2:1 safety factor.
4. Internal diameter calculated using nominal outside diameter and minimum wall thickness.