

PRODUCT SPECIFICATION

PROFILE SEWER FITTINGS | K-Series

FABRICATED IN SIZES 8" – 36"

The K-Series is a complete line of SDR35 fabricated fittings geared to work with ribbed pipe. Our fittings are designed for maximum performance in the most demanding environments and ease of installation. Construction from smooth wall SDR35 pipe provides superior flow.

They are designed and manufactured to consistent dimensions and laying lengths to deliver a securely sealed, water-tight joint connection on every installation.

All fittings are thoroughly tested for joint tightness, internal stress, stability, color and uniformity. SDR35 sewer fittings conform to all municipal requirements and are available in a wide range of sizes.

DESIGN ADVANTAGES

- Corrosion-resistant
- Durable, easy to install and long lasting
- Versatile
- Pipe-specific gaskets supplied for every fitting
- Adapters available to make connections to other types of pipe systems including laterals, sewer stubs and sewer and storm mains

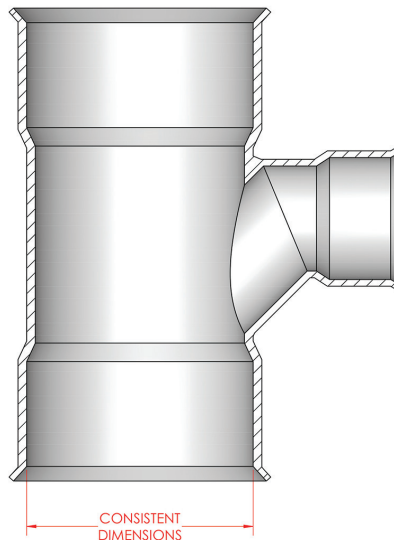
APPLICATIONS

- Used with Ultra-Rib, Kor-Flo®, Ultra Corr, and many other types of PVC and poly ribbed pipe.

TYPICAL USES

Lateral Connections to Municipal Sewers

- Sanitary
- Storm Surface Drainage
- Area drainage
- Parking lot drainage



ATTENTION: Our fittings are not to be used or tested with compressed air or gases.

The K-Series is a line of fully-integrated SDR 35 fittings used for connections with ribbed pipe.

SHORT TERM SPECIFICATIONS

This specification covers the requirements for Fabricated PVC (polyvinyl chloride) Profile Sewer Fittings, 8" through 36". These fittings are manufactured to meet ASTM F794. The fittings include: tees, wyes, tee-wyes, double wyes, crosses, bends, couplings, repair couplings, increasers, caps and plugs.

The fittings are fabricated from SDR35 Sewer Pipe which meets ASTM D3034 and F679. The joints for these fittings comply with ASTM D3212 joint tightness requirements for up to 5° of angular deflection.

Markings on the fittings are as specified in ASTM F794 and tested in accordance with ASTM F794.

CERTIFICATION

Our PVC Profile Gasketed Sewer fittings conform to ASTM F794.