

PRODUCT SPECIFICATION

SOLVENT WELD SDR 26 SEWER FITTINGS | M-Series

INJECTION MOLDED IN SIZES 4" – 8"

FABRICATED IN SIZES 10" – 24"

The M-Series is a line of SDR26 solvent weld sewer fittings that has been engineered to perform in the harshest environments. Our fittings are designed and manufactured to consistent dimensions and laying lengths to deliver a securely sealed, water-tight joint connection on every installation. Only virgin compounds are used in our injection molding process to ensure the highest quality and durability.

All fittings are thoroughly tested for joint tightness, internal stress and stability, color and uniformity. SDR26 solvent weld sewer fittings conform to all municipal, federal, and military requirements and are available in a wide range of sizes.

DESIGN ADVANTAGES

- Designed for easy assembly
- Highest quality materials for long lasting performance
- Consistent dimensions provide joint integrity
- Broadest offering in the industry

APPLICATIONS

- Non-pressure drainage of sewer and surface water wherever heavy SDR26 is specified.

TYPICAL USES

Drainage

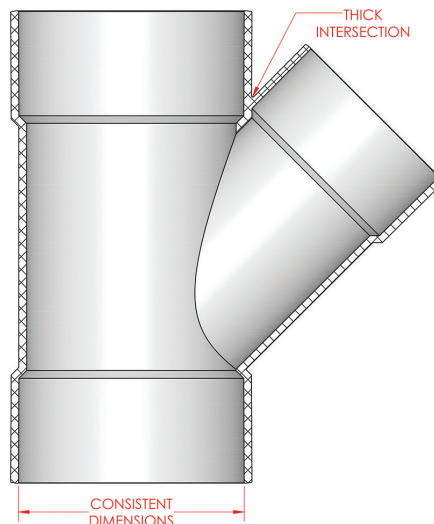
- Municipal
- Commercial

Lateral Connections to Municipal Sewers

- Sanitary
- Storm

Surface Drainage

- Foundation drains
- Radon gas venting
- Yard drainage



ATTENTION: Our fittings are not to be used or tested with compressed air or gases.

The M series is an SDR26 solvent weld sewer fitting line developed with structural integrity for high performance and easy assembly.

SHORT TERM SPECIFICATIONS

4" through 12" injection molded solvent weld SDR26 sewer fittings shall be manufactured in accordance with ASTM D3034, and CSA B182.2. They shall be injection molded from virgin PVC compound having a cell classification of 12454 or 13343 in accordance with ASTM D1784.

CERTIFICATION

Our Solvent Weld SDR26 Sewer fittings are manufactured to meet specs defined in ASTM D3034 and CSA B182.2.