

PRODUCT SPECIFICATION

PVC BACKWATER VALVES

INJECTION MOLDED IN SIZES 4" – 6"

FABRICATED IN SIZES 4" - 27"

PVC Backwater Valves are designed to prevent fluids from re-entering drainage systems, should backflow occur. Unidirectional flow through the valve is created by a flap that freely opens during outflow, and is trapped closed if backflow occurs.

Our injection molded valves come complete with leak free neoprene gaskets on the flapper and lid for maximum performance. In line Backwater Valves in 4" and 6" are designed and assembled from molded components. Two configurations are available; In line Backwater Valves and Terminal Backwater Valves.

Designed to integrate with Series G, D and P fittings.

DESIGN ADVANTAGES

- Durable, easy to install and long lasting
- Easy to remove threaded lid makes inspection simple and quick
- Wide range of sizes

APPLICATIONS

- Used to prevent backflow at the end of sewer lines or overflow from a sanitary sewer pumping station. Also used with storm sewer retention ponds.

TYPICAL USES

Onsite Disposal

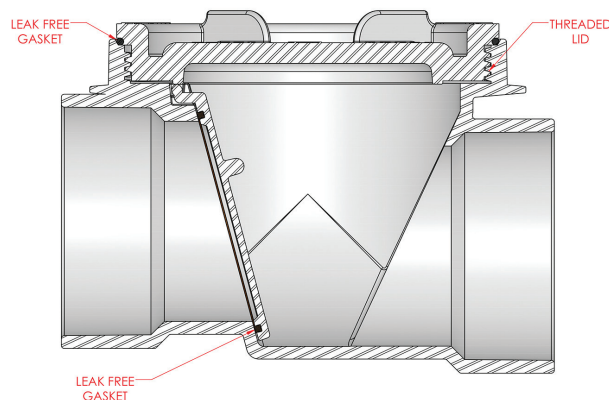
- Closed loop septic fields
- Open septic fields
- Engineered systems

Lateral Connections to Municipal Sewers

- Sanitary
- Storm

Surface Drainage

- Foundation drains
- Yard drainage



ATTENTION: Our fittings are not to be used or tested with compressed air or gases.

PVC Backwater Valves are available in Terminal or In line designs for use with G, D and P Series Fittings.

SHORT TERM SPECIFICATIONS

Our 4" and 6" Backwater Valves are designed for use with DWV Schedule 40 pipe (ASTM D2665). If an adaptation to sewer pipe is desired, adapter sleeves may be used to accept SDR35 sewer pipe (ASTM D3034). 4" and 6" injection molded Backwater Valves are listed by NSF and IAPMO. The 4" molded inline Backwater Valve is designed to accept a vertical access sleeve of 8" DWV pipe (ASTM D2665). The 6" molded inline Backwater Valve is designed to accept a vertical access sleeve of 10" DWV pipe (ASTM D2665), eliminating the need for special sleeves. Backwater Valve and access sleeve must be properly bedded and compacted in accordance with Uni-Bell recommendations.



PRODUCT SPECIFICATION

PVC BACKWATER VALVES

OPERATION AND INSTALLATION

In order to ensure continuous proper function of Backwater Valves, please review the following guidelines:

- Valve is to be installed in a nominally horizontal line only, with no more than $\frac{1}{4}$ " per foot of slope. The access plug is to be in the vertical orientation.
- The valve should be installed with direction of flow, as indicated by the directional arrow on the outside of the valve.
- Care must be taken to keep solvent cement out of the valve body when making solvent weld connections. Flap should be tested for freedom of movement and proper seating after solvent weld connections have thoroughly cured.
- To ensure proper flap function, threaded cap must be securely tightened.
- It is recommended that the Backwater Valve be periodically inspected for proper function, to ensure that no solid matter has become trapped between the flap and the valve body.