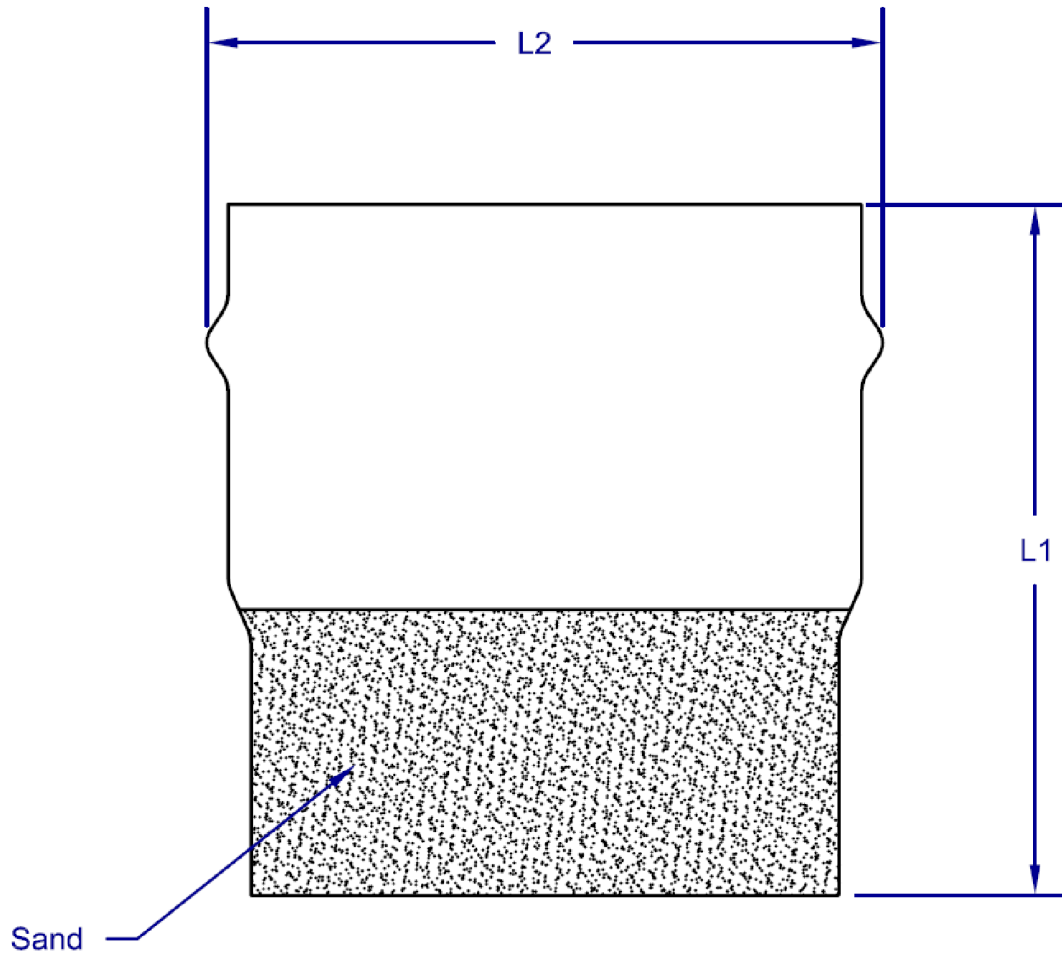


SIGNED DRAWINGS MUST ACCOMPANY PURCHASE ORDER OR DIMENSIONS OF FITTINGS WILL NOT BE GUARANTEED



SIZE INCHES (mm)	L1 INCHES (mm)	L2 INCHES (mm)
10 (250)	13.5 (343)	12.9 (328)

DISCLAIMER - PLEASE READ

- DIMENSIONS AND APPEARANCE ARE APPROXIMATE AND SUBJECT TO CHANGE WITHOUT NOTICE DUE TO DESIGN OR PRODUCTION MODIFICATIONS
- ANGLE TOLERANCE IS +/- 2 DEGREES.
- ALL OTHER DIMENSIONS ARE TO TOLERANCES OF +/- 1"
- ALL FITTINGS ARE SUBJECT TO NAPCO "STANDARD TERMS AND CONDITIONS"

NAPCO PIPE & FITTINGS
 56400 Mound Road
 Shelby Township, MI 48316
 U.S.A.
 Phone (800) 232-5690 | Fax (586) 781-0888
 CSShelby@napcopipe.com | www.napcopipe.com

10" MANHOLE ADAPTER (SANDED)
PVC GASKETED IPS DRAINAGE (CLASS 160)
 10"x 10" SxG

PRINTED COPIES ARE FOR REFERENCE ONLY
 DATE: 6/21/2016 DRAWN BY: RSS
 DATE: 6/21/2016 CHECKED BY: RBP

T9910.L