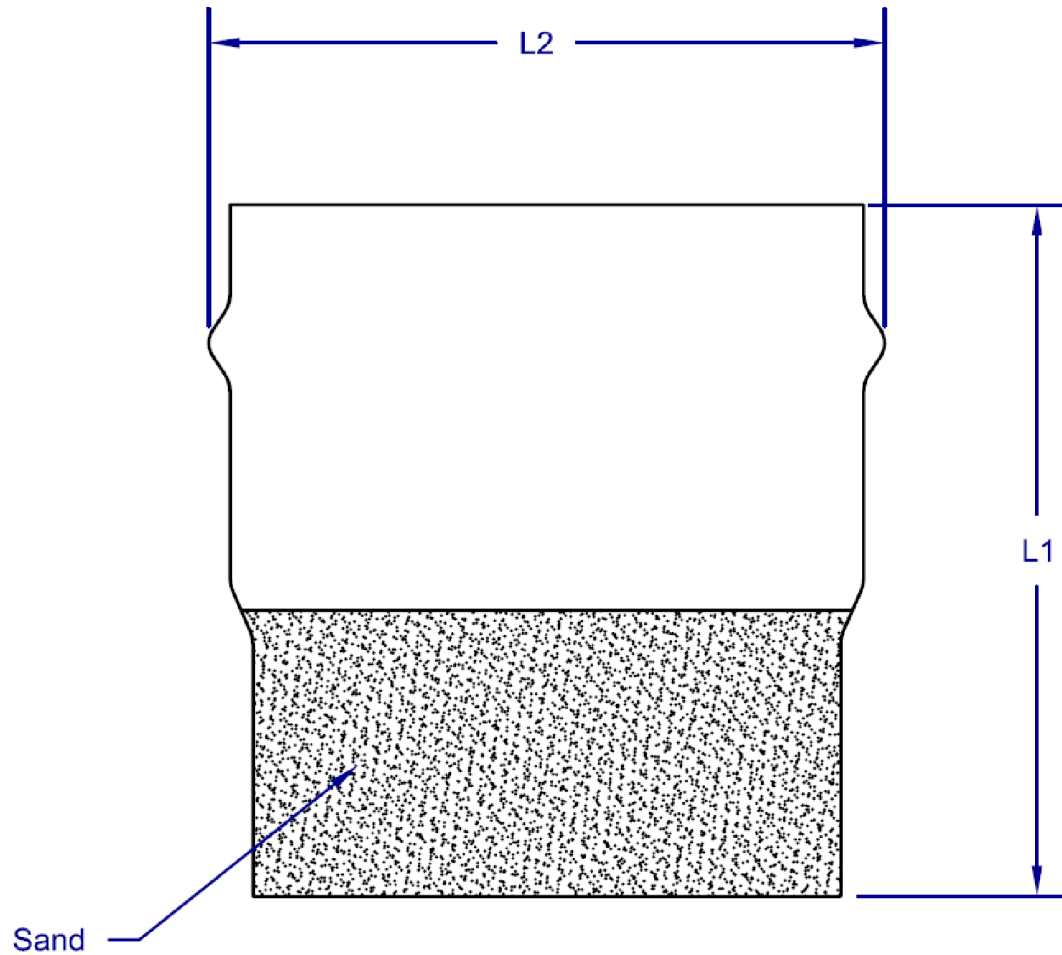


SIGNED DRAWINGS MUST ACCOMPANY PURCHASE ORDER OR DIMENSIONS OF FITTINGS WILL NOT BE GUARANTEED



SIZE INCHES (mm)	L1 INCHES (mm)	L2 INCHES (mm)
4 (100)	8.5 (216)	5.7 (145)

DISCLAIMER - PLEASE READ

- DIMENSIONS AND APPEARANCE ARE APPROXIMATE AND SUBJECT TO CHANGE WITHOUT NOTICE DUE TO DESIGN OR PRODUCTION MODIFICATIONS
- ANGLE TOLERANCE IS +/- 2 DEGREES.
- ALL OTHER DIMENSIONS ARE TO TOLERANCES OF +/- 1"
- ALL FITTINGS ARE SUBJECT TO NAPCO "STANDARD TERMS AND CONDITIONS"

REF.
651S0408GSSILICA

NAPCO PIPE & FITTINGS

56400 Mound Road
Shelby Township, MI 48316
U.S.A.
Phone (800) 232-5690 | Fax (586) 781-0888
CSshelby@napcopipe.com | www.napcopipe.com

**4" MANHOLE ADAPTER (SANDED)
PVC GASKETED IPS DRAINAGE (CLASS 160)**

4"x 4" SxG

PRINTED COPIES ARE FOR REFERENCE ONLY

DATE: 6/21/2016 DRAWN BY: RSS

DATE: 6/21/2016 CHECKED BY: RBP

T9904.L

CUSTOMER