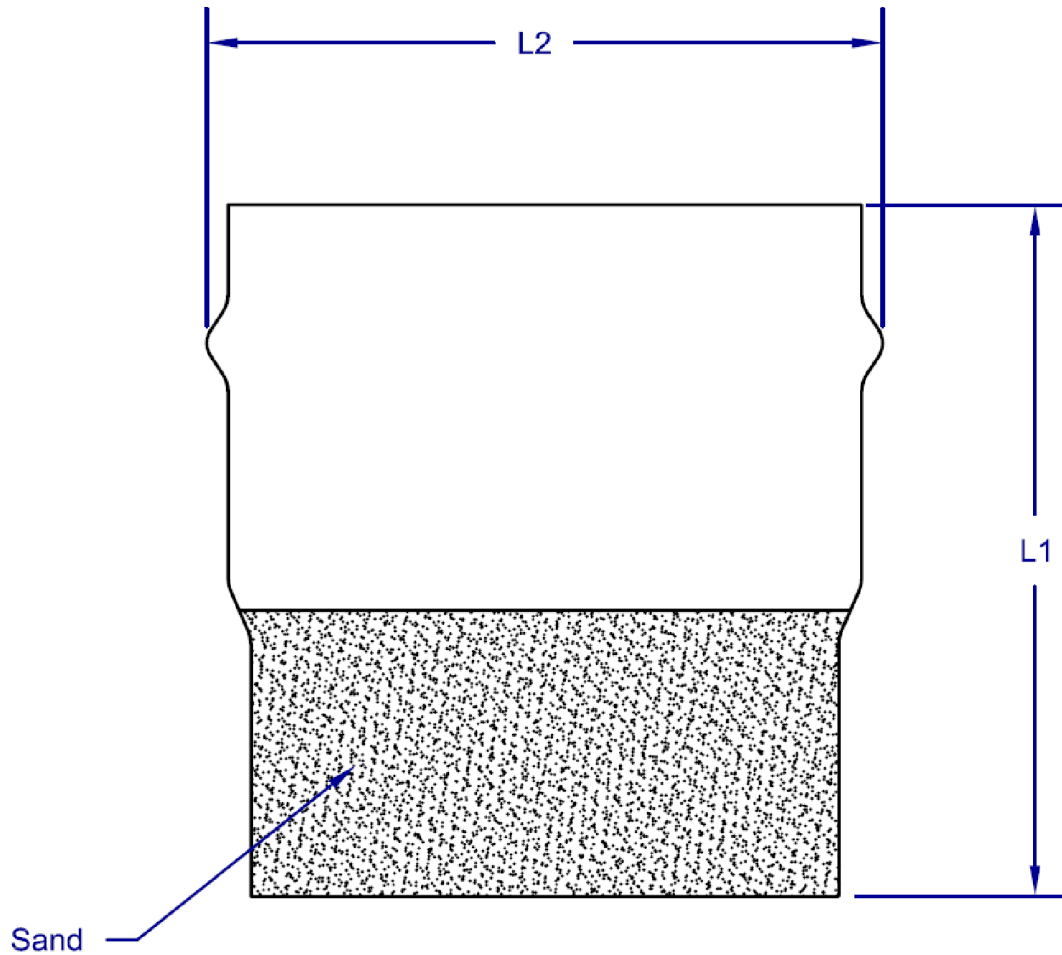


SIGNED DRAWINGS MUST ACCOMPANY PURCHASE ORDER OR DIMENSIONS OF FITTINGS WILL NOT BE GUARANTEED



SIZE INCHES (mm)	L1 INCHES (mm)	L2 INCHES (mm)
6 (150)	9.5 (241)	8.2 (208)

**DISCLAIMER - PLEASE READ**

- DIMENSIONS AND APPEARANCE ARE APPROXIMATE AND SUBJECT TO CHANGE WITHOUT NOTICE DUE TO DESIGN OR PRODUCTION MODIFICATIONS
- ANGLE TOLERANCE IS +/- 2 DEGREES.
- ALL OTHER DIMENSIONS ARE TO TOLERANCES OF +/- 1"
- ALL FITTINGS ARE SUBJECT TO NAPCO "STANDARD TERMS AND CONDITIONS"

REF.  
651S0608GSSILICA

**NAPCO** PIPE & FITTINGS

56400 Mound Road  
Shelby Township, MI 48316  
U.S.A.  
Phone (800) 232-5690 | Fax (586) 781-0888  
CSshelby@napcopipe.com | www.napcopipe.com

**6" MANHOLE ADAPTER (SANDED)  
PVC GASKETED IPS DRAINAGE (CLASS 160)**

**6"x 6" SxG**

PRINTED COPIES ARE FOR REFERENCE ONLY

DATE: 6/21/2016 DRAWN BY: RSS

DATE: 6/21/2016 CHECKED BY: RBP

T9906.L

CUSTOMER