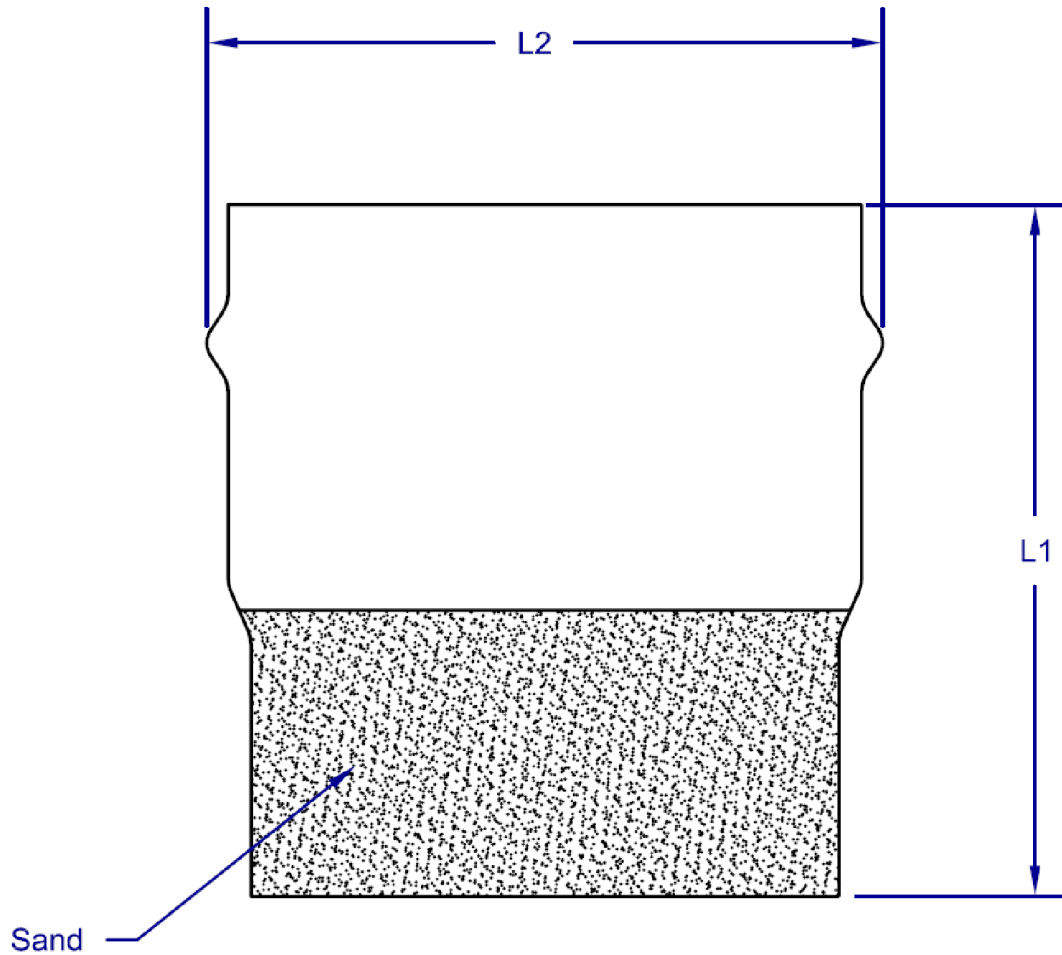


SIGNED DRAWINGS MUST ACCOMPANY PURCHASE ORDER OR DIMENSIONS OF FITTINGS WILL NOT BE GUARANTEED



SIZE INCHES (mm)	L1 INCHES (mm)	L2 INCHES (mm)
8 (200)	10.0 (254)	9.9 (251)

**DISCLAIMER - PLEASE READ**

- DIMENSIONS AND APPEARANCE ARE APPROXIMATE AND SUBJECT TO CHANGE WITHOUT NOTICE DUE TO DESIGN OR PRODUCTION MODIFICATIONS
- ANGLE TOLERANCE IS +/- 2 DEGREES.
- ALL OTHER DIMENSIONS ARE TO TOLERANCES OF +/- 1"
- ALL FITTINGS ARE SUBJECT TO NAPCO "STANDARD TERMS AND CONDITIONS"

**8" MANHOLE ADAPTER (SANDED)**  
**PVC GASKETED IPS DRAINAGE (CLASS 160)**  
**8"x 8" SxG**

**NAPCO** PIPE & FITTINGS

56400 Mound Road  
Shelby Township, MI 48316  
U.S.A.  
Phone (800) 232-5690 | Fax (586) 781-0888  
CSshelby@napcopipe.com | www.napcopipe.com

PRINTED COPIES ARE FOR REFERENCE ONLY

DATE: 6/21/2016      DRAWN BY: RSS  
DATE: 6/21/2016      CHECKED BY: RBP

T9908.L

CUSTOMER