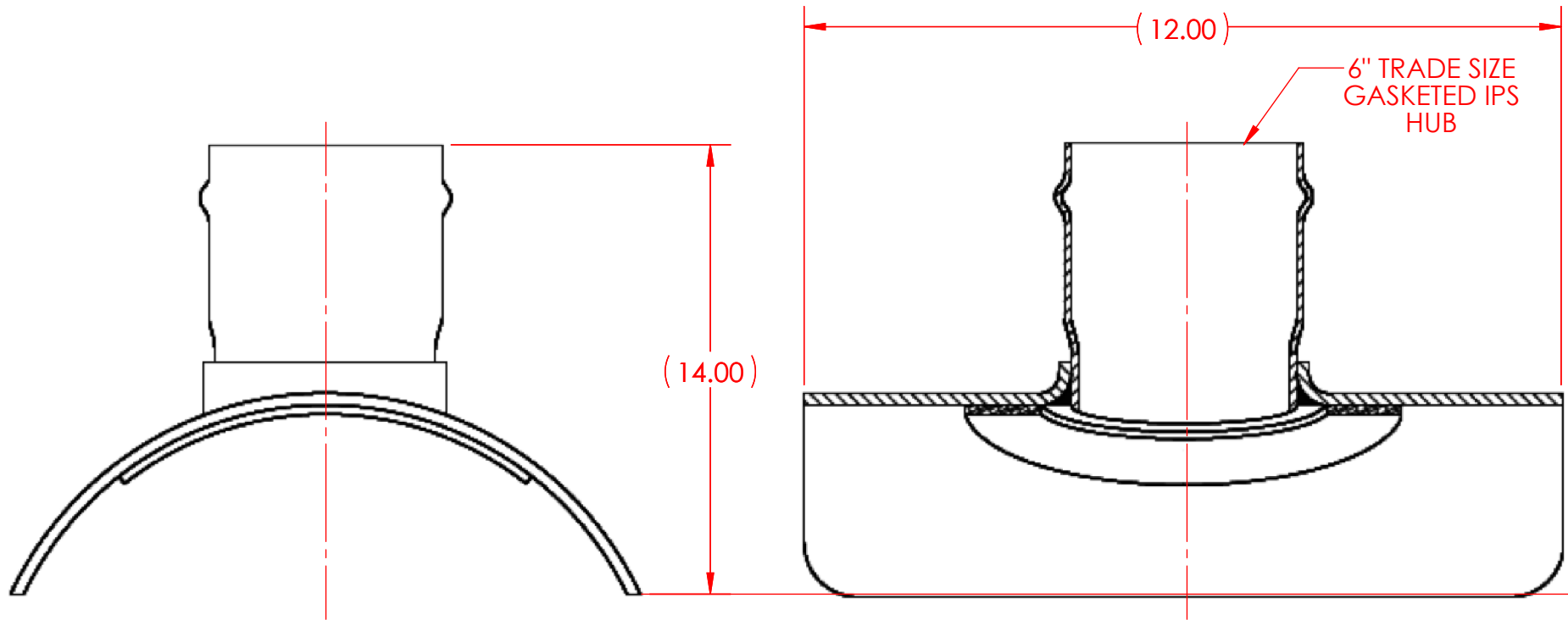


SIGNED DRAWINGS MUST ACCOMPANY PURCHASE ORDER OR DIMENSIONS OF FITTINGS WILL NOT BE GUARANTEED



NOTE:
GASKET NOT SHOWN

DISCLAIMER - PLEASE READ

- DIMENSIONS AND APPEARANCE ARE APPROXIMATE AND SUBJECT TO CHANGE WITHOUT NOTICE DUE TO DESIGN OR PRODUCTION MODIFICATIONS
- ANGLE TOLERANCE IS +/- 2 DEGREES.
- ALL OTHER DIMENSIONS ARE TO TOLERANCES OF +/- 1"
- ALL FITTINGS ARE SUBJECT TO NAPCO "STANDARD TERMS AND CONDITIONS"

REF.
12BDST0806
12AST--SPEC
12BDST--SPEC

NAPCO PIPE & FITTINGS

56400 Mound Road
Shelby Township, MI 48316
U.S.A.
Phone (800) 232-5690 | Fax (586) 781-0888
CSshelby@napcopipe.com | www.napcopipe.com

**8" SADDLE TEE with STAINLESS STEEL CLAMPS
PVC GASKETED IPS DRAINAGE (CLASS 160)
8"x 6" SOLVENT SKIRT x GASKET INLET**

PRINTED COPIES ARE FOR REFERENCE ONLY

DATE: 1/6/2020 DRAWN BY: GEB
DATE: 1/6/2020 CHECKED BY: NAPCO

T2108-6.L

CUSTOMER