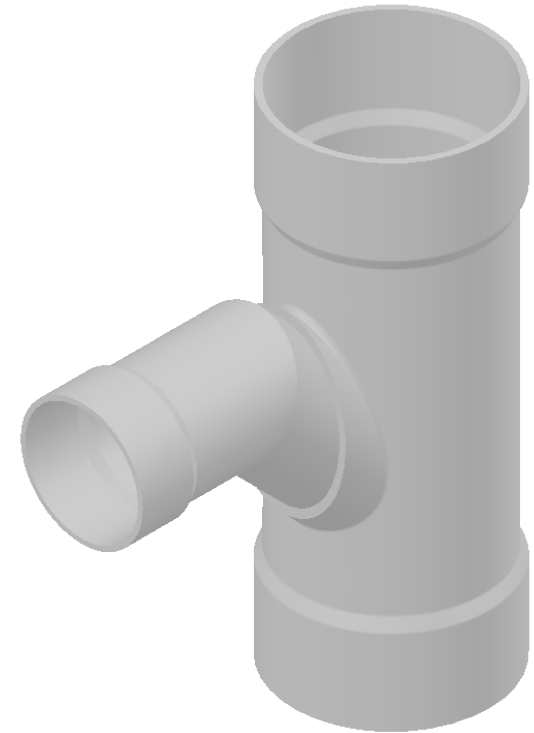
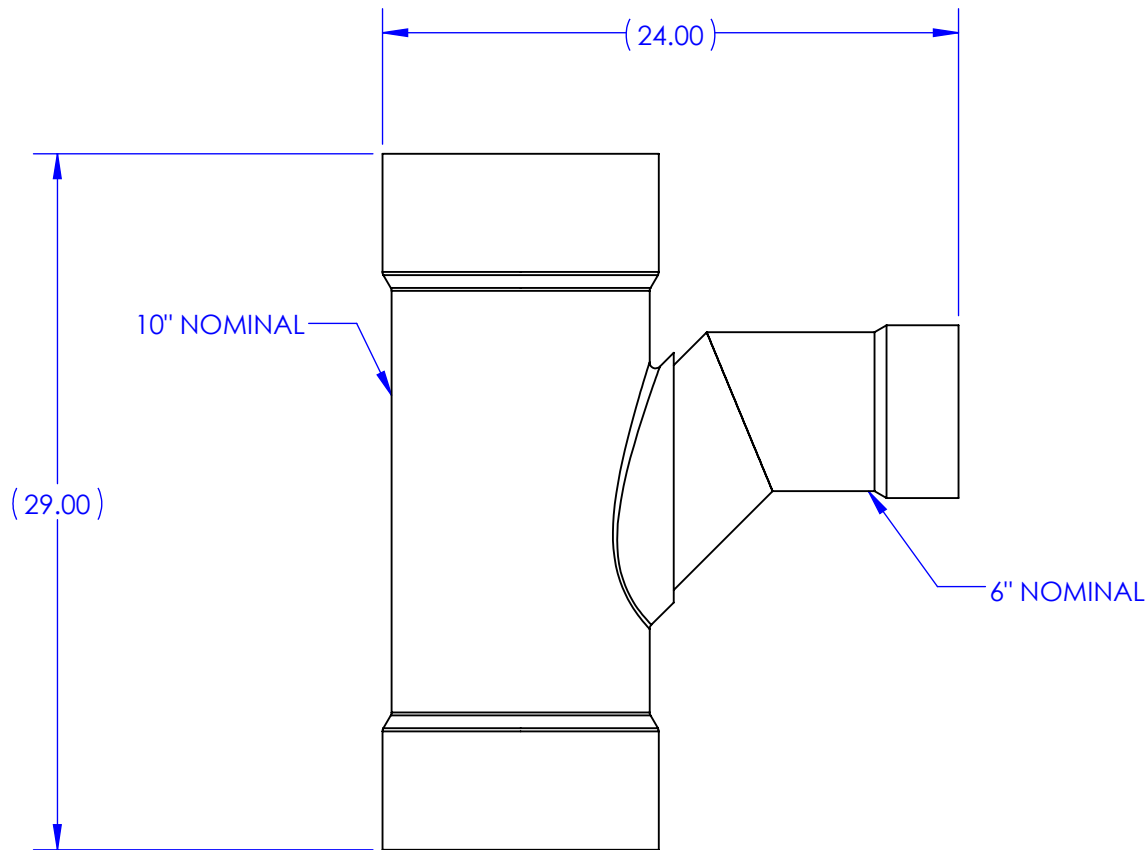


NOTES:

1. ALL DIMENSIONS AND WEIGHTS ARE APPROXIMATE.
2. DWG FOR REFERENCE PURPOSES ONLY.
3. PIPE AND BELL DIMENSIONS SHALL BE IN CONFORMANCE WITH CSA B181.2.
4. FITTING MAY BE SUBJECT TO VISUAL VARIATION BASED ON FABRICATION METHOD.



**NAPCO** 2801 POST OAK BLVD., HOUSTON, TX 77056 (855) 624-7473  
**PIPE & FITTINGS**

**DWV FITTING 10x6in. SCH40  
 SANITARY TEE HxHxH**

**UNLESS OTHERWISE SPECIFIED:**  
 DIMENSIONS ARE IN INCHES  
 TOLERANCES:  
 ANGULAR: ± 0.5°  
 .XX ±0.01 .XXX ±0.005  
 GEOMETRIC TOLERANCING PER  
 ASME Y14.5-2009

JDE NO. 06BD101006HHH	PRODUCT CODE D1510-6	MATERIAL PVC
SAP NO. N/A	SCALE: 1:8 SIZE: A	WEIGHT(LBS) 22.70
SHEET 2 OF 2		COLOR LIGHT GREY

**UNCONTROLLED WHEN PRINTED**



**PROPRIETARY AND  
 CONFIDENTIAL**

THE INFORMATION CONTAINED IN THIS DRAWING IS THE SOLE PROPERTY OF NORTH AMERICAN PIPE CORPORATION. ANY REPRODUCTION IN PART OR AS A WHOLE WITHOUT THE WRITTEN PERMISSION OF NORTH AMERICAN PIPE CORPORATION IS PROHIBITED.