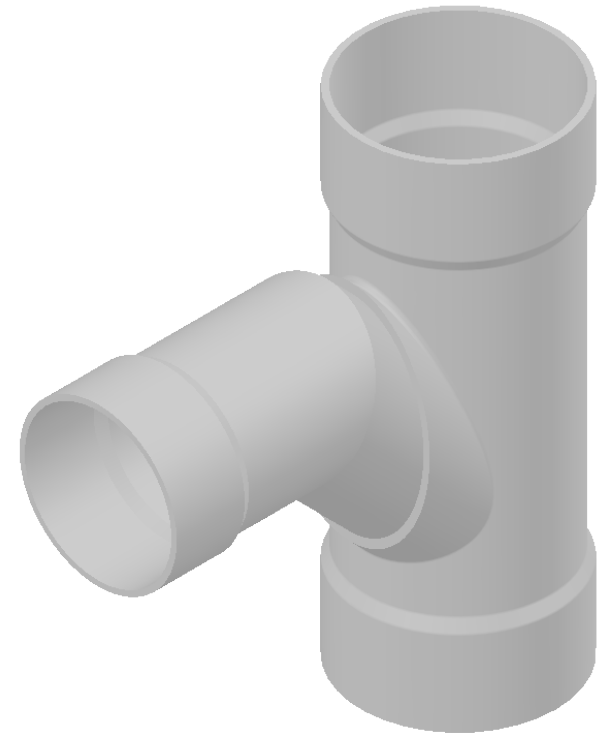
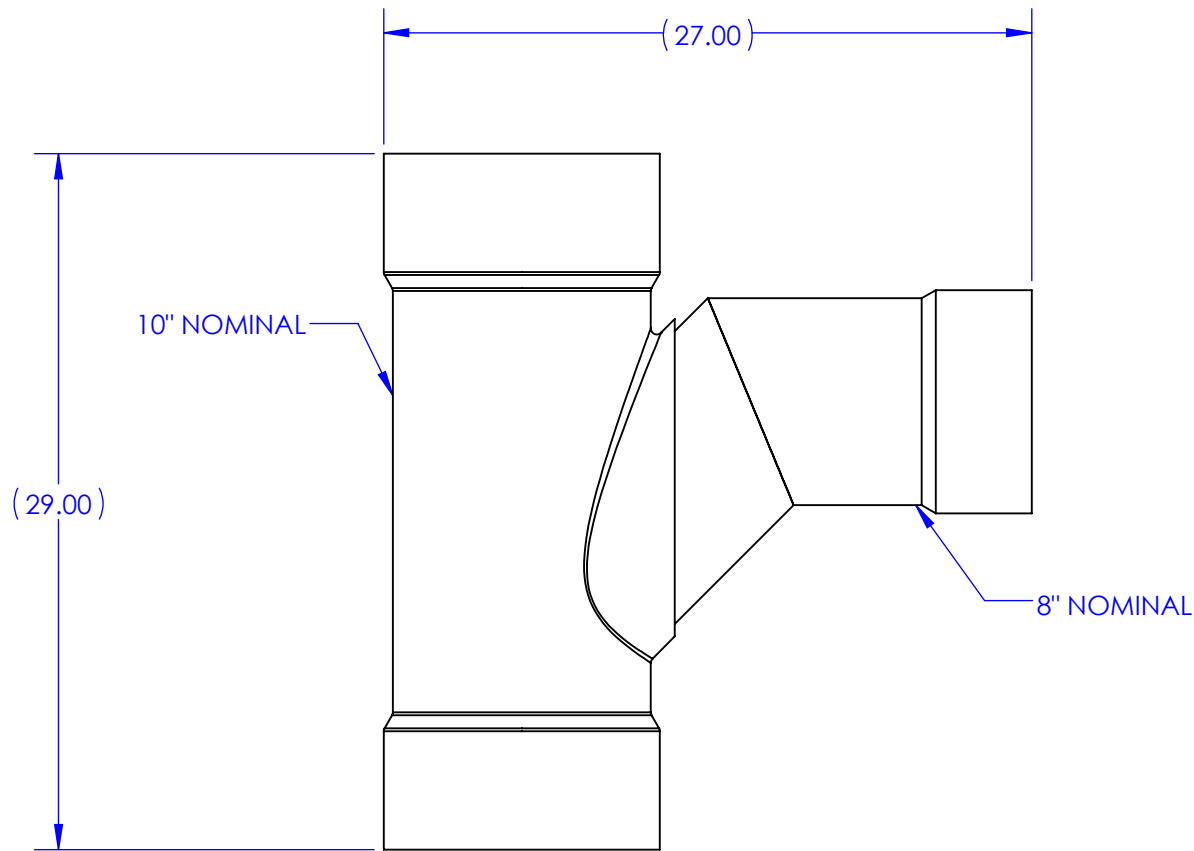


NOTES:

1. ALL DIMENSIONS AND WEIGHTS ARE APPROXIMATE.
2. DWG FOR REFERENCE PURPOSES ONLY.
3. PIPE AND BELL DIMENSIONS SHALL BE IN CONFORMANCE WITH CSA B181.2.
4. FITTING MAY BE SUBJECT TO VISUAL VARIATION BASED ON FABRICATION METHOD.



NAPCO 2801 POST OAK BLVD., HOUSTON, TX 77056 (855) 624-7473
PIPE & FITTINGS

DWV FITTING 10x8in. SCH40
 SANITARY TEE HxHxH

UNLESS OTHERWISE SPECIFIED:
 DIMENSIONS ARE IN INCHES
 TOLERANCES:
 ANGULAR: $\pm 0.5^\circ$
 .XX ± 0.01 .XXX ± 0.005
 GEOMETRIC TOLERANCING PER ASME Y14.5-2009

JDE NO. 06BD101008HHH	PRODUCT CODE D1510-8	MATERIAL PVC
SAP NO. N/A	SCALE: 1:8 SIZE: A	WEIGHT(LBS) 26.20
SHEET 2 OF 2		COLOR LIGHT GREY

UNCONTROLLED WHEN PRINTED
 THIRD ANGLE PROJECTION

PROPRIETARY AND CONFIDENTIAL

THE INFORMATION CONTAINED IN THIS DRAWING IS THE SOLE PROPERTY OF NORTH AMERICAN PIPE CORPORATION. ANY REPRODUCTION IN PART OR AS A WHOLE WITHOUT THE WRITTEN PERMISSION OF NORTH AMERICAN PIPE CORPORATION IS PROHIBITED.