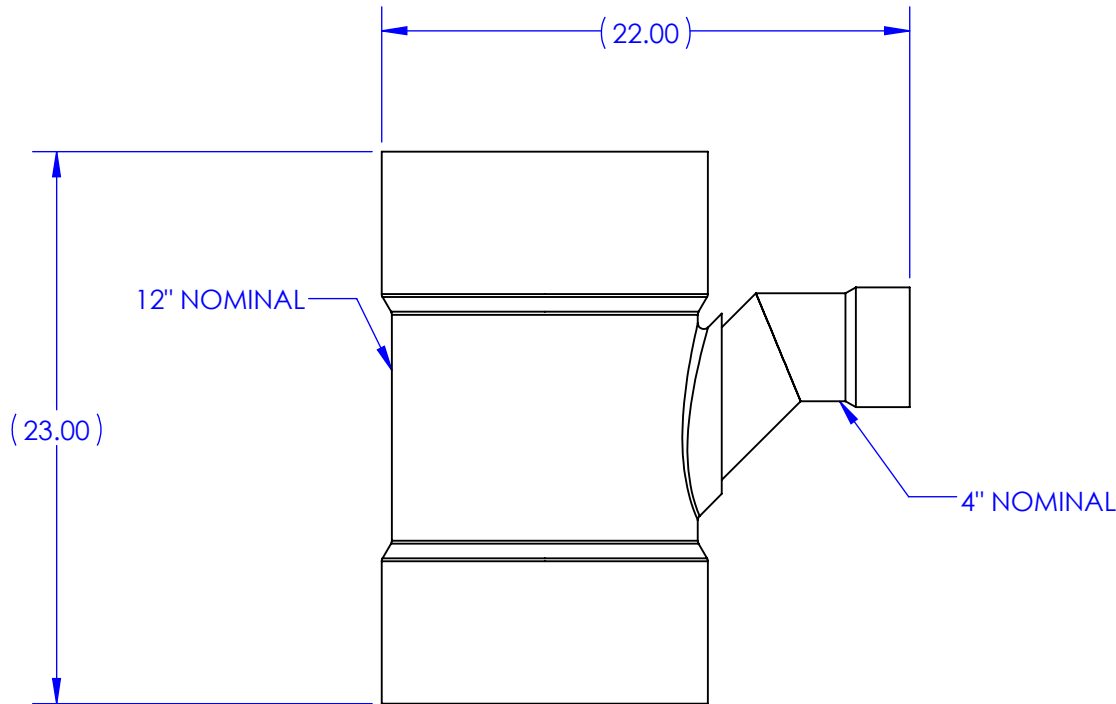
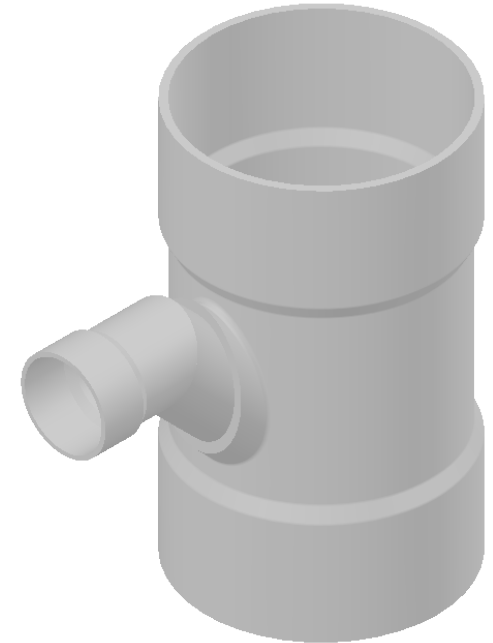


NOTES:

1. ALL DIMENSIONS AND WEIGHTS ARE APPROXIMATE.
2. DWG FOR REFERENCE PURPOSES ONLY.
3. PIPE AND BELL DIMENSIONS SHALL BE IN CONFORMANCE WITH CSA B181.2.
4. FITTING MAY BE SUBJECT TO VISUAL VARIATION BASED ON FABRICATION METHOD.



NAPCO 2801 POST OAK BLVD.
HOUSTON, TX 77056
PIPE & FITTINGS (855) 624-7473

DWV FITTING 12x4in. SCH40
SANITARY TEE HxHxH

UNLESS OTHERWISE SPECIFIED:
DIMENSIONS ARE IN INCHES
TOLERANCES:
ANGULAR: $\pm 0.5^\circ$
.XX ± 0.01 .XXX ± 0.005
GEOMETRIC TOLERANCING PER
ASME Y14.5-2009

JDE NO. 06BD121204HHH	PRODUCT CODE D1512-4	MATERIAL PVC	UNCONTROLLED WHEN PRINTED
SAP NO. N/A	SCALE: 1:8 SIZE: A	WEIGHT(LBS) 21.41	COLOR LIGHT GREY

THIRD ANGLE PROJECTION	
------------------------	--

THIRD ANGLE PROJECTION	
------------------------	--

PROPRIETARY AND CONFIDENTIAL

THE INFORMATION CONTAINED IN THIS DRAWING IS THE SOLE PROPERTY OF NORTH AMERICAN PIPE CORPORATION. ANY REPRODUCTION IN PART OR AS A WHOLE WITHOUT THE WRITTEN PERMISSION OF NORTH AMERICAN PIPE CORPORATION IS PROHIBITED.