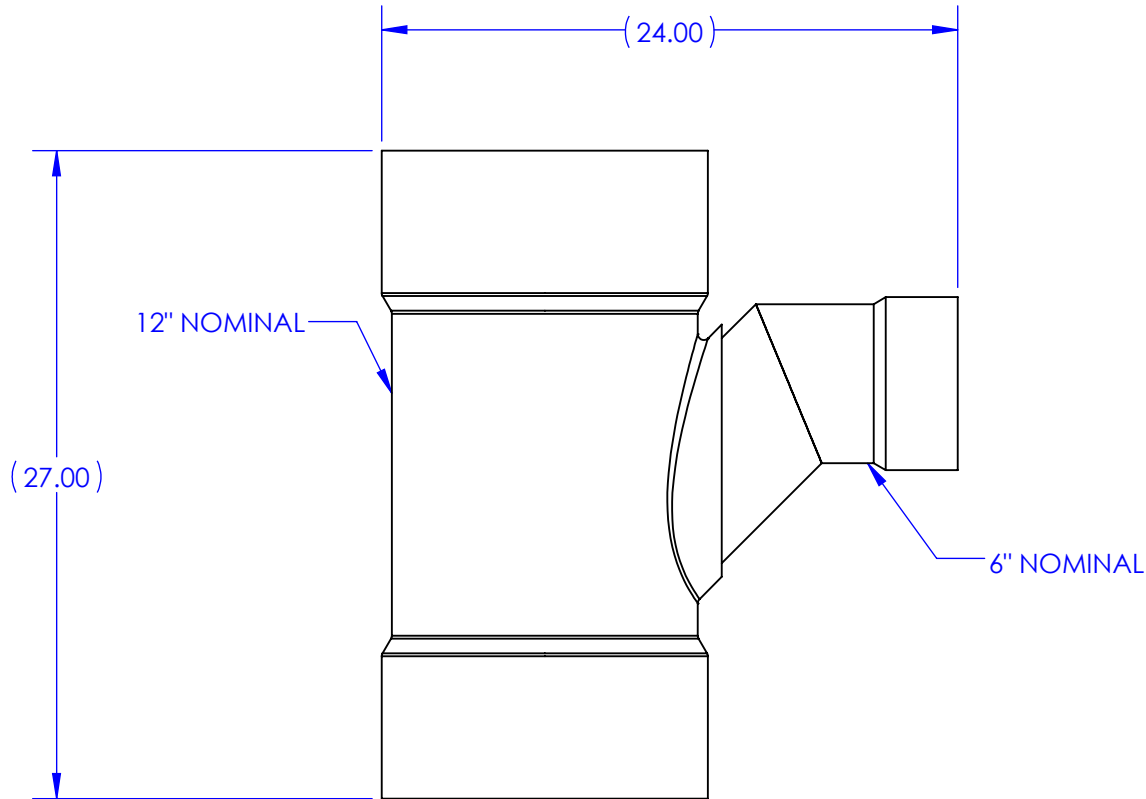
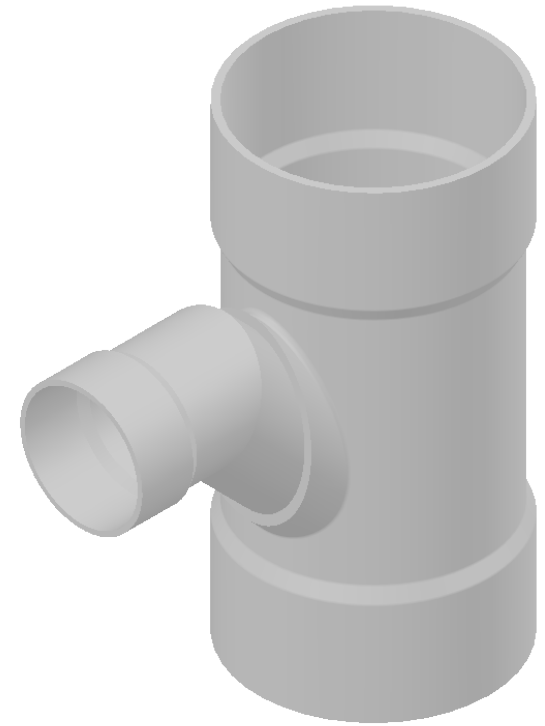


NOTES:

1. ALL DIMENSIONS AND WEIGHTS ARE APPROXIMATE.
2. DWG FOR REFERENCE PURPOSES ONLY.
3. PIPE AND BELL DIMENSIONS SHALL BE IN CONFORMANCE WITH CSA B181.2.
4. FITTING MAY BE SUBJECT TO VISUAL VARIATION BASED ON FABRICATION METHOD.



NAPCO
 PIPE & FITTINGS

2801 POST OAK
 BLVD.
 HOUSTON, TX
 77056
 (855) 624-7473

DWV FITTING 12x6in. SCH40
 SANITARY TEE HxHxH

UNLESS OTHERWISE SPECIFIED:
 DIMENSIONS ARE IN INCHES

TOLERANCES:
 ANGULAR: $\pm 0.5^\circ$
 .XX ± 0.01 .XXX ± 0.005

GEOMETRIC TOLERANCING PER
 ASME Y14.5-2009

JDE NO.
 06BD121206HHH

PRODUCT CODE
 D1512-6

MATERIAL
 PVC

UNCONTROLLED WHEN PRINTED

SAP NO.
 N/A

SCALE: 1:8
 SIZE: A

SHEET
 2 OF 2

WEIGHT(LBS)
 26.49

COLOR
 LIGHT GREY



PROPRIETARY AND
 CONFIDENTIAL

THE INFORMATION CONTAINED IN THIS DRAWING IS THE SOLE PROPERTY OF NORTH AMERICAN PIPE CORPORATION. ANY REPRODUCTION IN PART OR AS A WHOLE WITHOUT THE WRITTEN PERMISSION OF NORTH AMERICAN PIPE CORPORATION IS PROHIBITED.