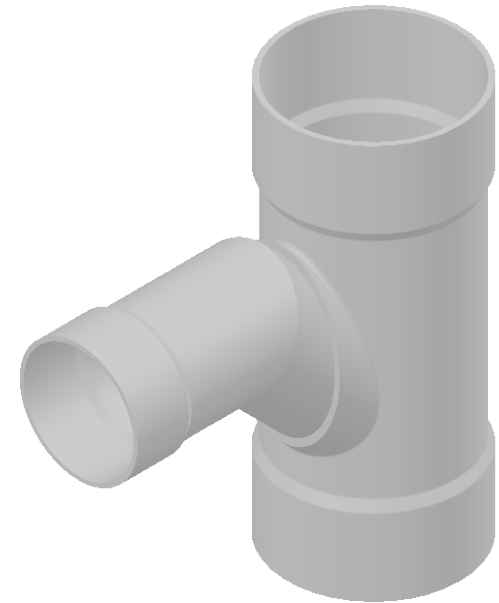
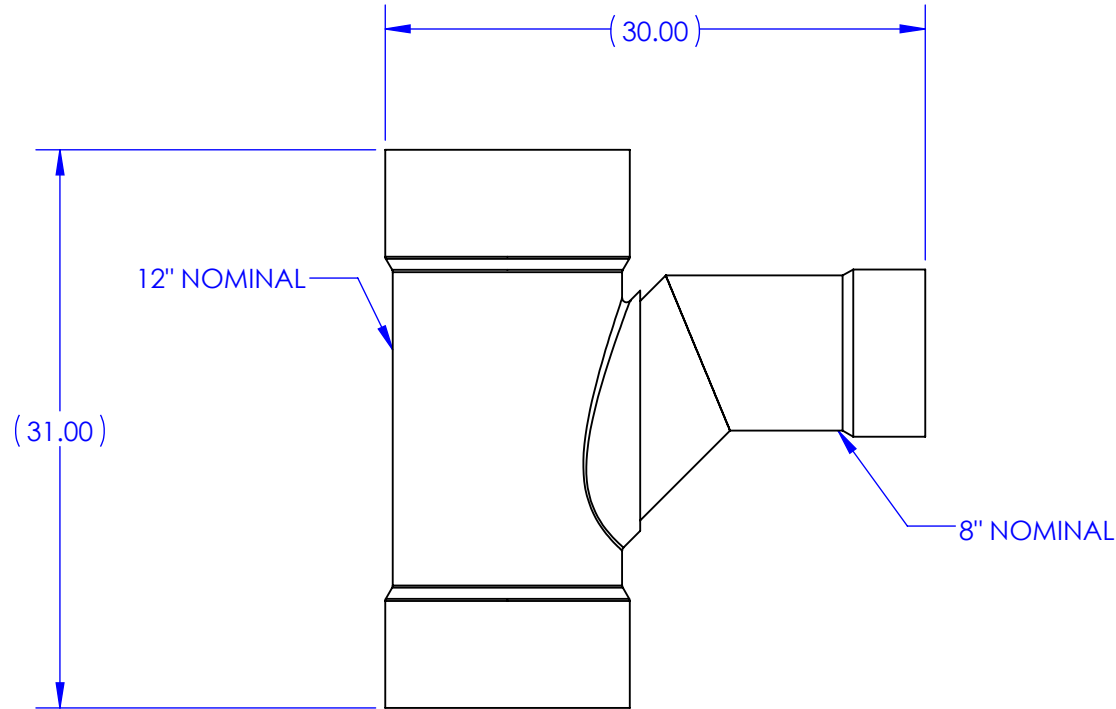


NOTES:

1. ALL DIMENSIONS AND WEIGHTS ARE APPROXIMATE.
2. DWG FOR REFERENCE PURPOSES ONLY.
3. PIPE AND BELL DIMENSIONS SHALL BE IN CONFORMANCE WITH CSA B181.2.
4. FITTING MAY BE SUBJECT TO VISUAL VARIATION BASED ON FABRICATION METHOD.



NAPCO 2801 POST OAK BLVD., HOUSTON, TX 77056 (855) 624-7473
PIPE & FITTINGS

**DWV FITTING 12x8in. SCH40
 SANITARY TEE HxHxH**

UNLESS OTHERWISE SPECIFIED:
 DIMENSIONS ARE IN INCHES
 TOLERANCES:
 ANGULAR: ± 0.5°
 .XX ±0.01 .XXX ±0.005
 GEOMETRIC TOLERANCING PER
 ASME Y14.5-2009

JDE NO. 06BD121208HHH	PRODUCT CODE D1512-8	MATERIAL PVC	COLOR LIGHT GREY
SAP NO. N/A	SCALE: 3:32 SIZE: A	SHEET 2 OF 2	WEIGHT(LBS) 34.15

UNCONTROLLED WHEN PRINTED

THIRD ANGLE PROJECTION

**PROPRIETARY AND
 CONFIDENTIAL**

THE INFORMATION CONTAINED IN THIS DRAWING IS THE SOLE PROPERTY OF NORTH AMERICAN PIPE CORPORATION. ANY REPRODUCTION IN PART OR AS A WHOLE WITHOUT THE WRITTEN PERMISSION OF NORTH AMERICAN PIPE CORPORATION IS PROHIBITED.