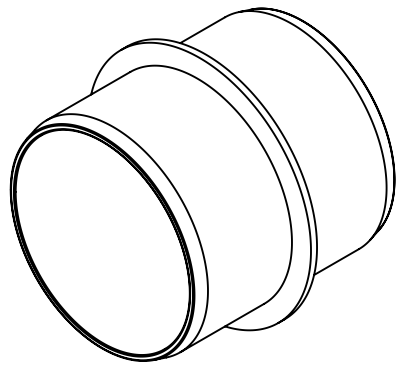
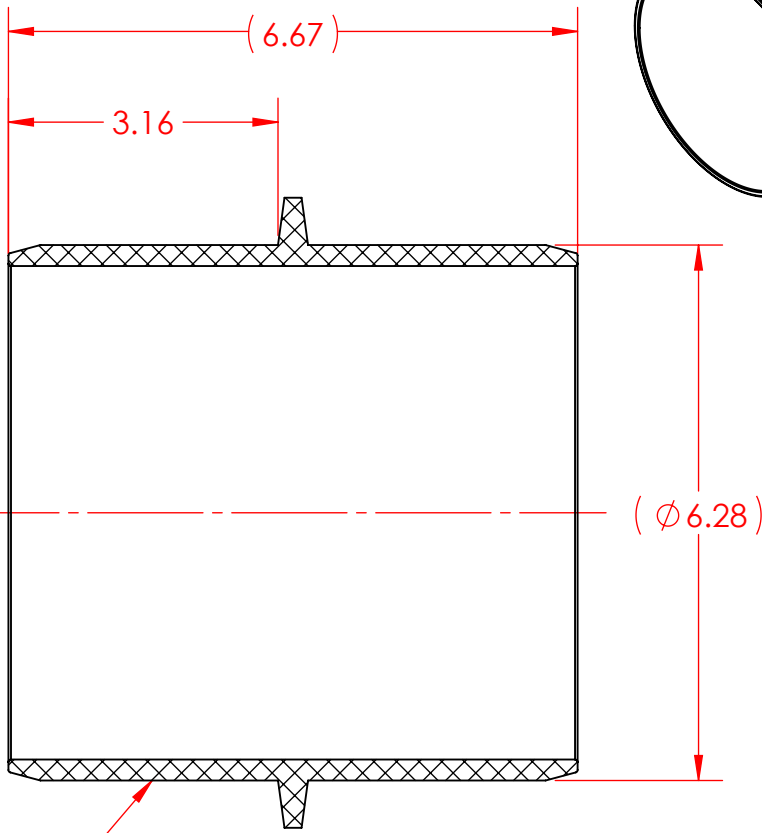
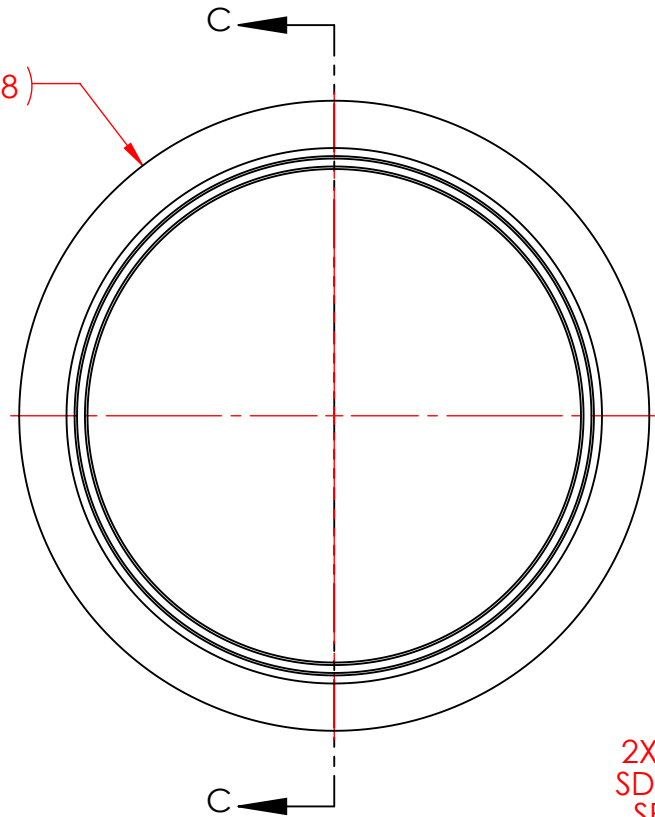


( $\phi$ 7.38)



2X 6" TRADE SIZE  
SDR26 CHAMFER  
SEWER SPIGOT

SECTION C-C

REF.  
CSA B182.2  
ASTM D3034

**NAPCO** PIPE & FITTINGS  
 56400 Mound Road  
 Shelby Township, MI 48316  
 U.S.A.  
 Phone (800) 232-5690 | Fax (586) 781-0888  
 CSShelby@napcopipe.com | www.napcopipe.com

**6" VERTICAL RISER ADAPTER  
PVC SDR26 GASKETED SEWER**

**6"x 6" SxS**

REFERENCE ONLY

FILE NAME:

H986.D01