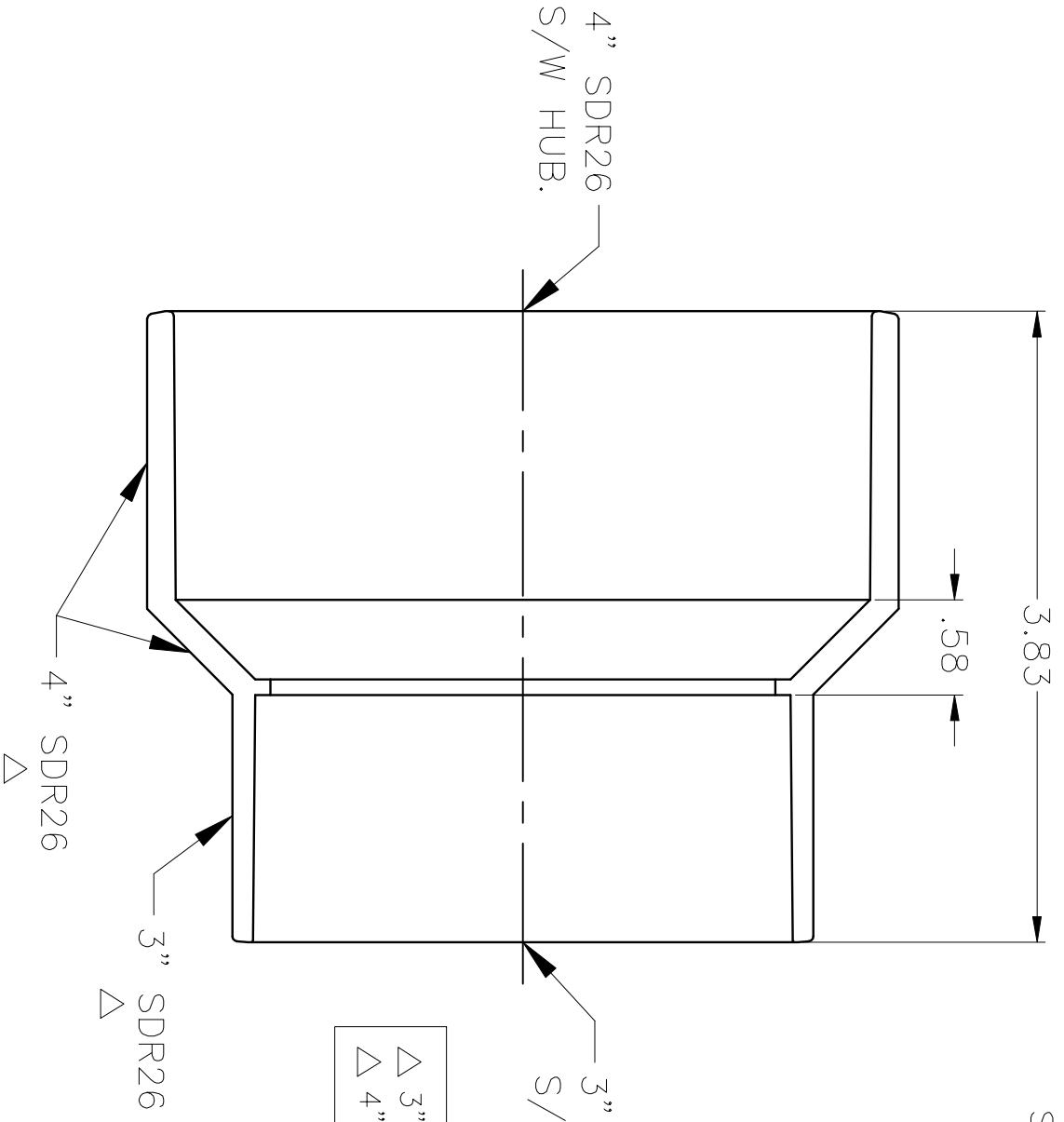


NOTE:
 REFER TO 3" SDR26 AND 4" SDR26
 S/W PART STANDARD SHEETS.



△ 3"	SDR26	MIN WALL THICKNESS =	.125
△ 4"	SDR26	MIN WALL THICKNESS =	.162

REF. ASTM D 3034 - U.S.A.
 CSA B182.1 & CSA B182.2 - CAN.
 △ - CRITICAL DIMENSION

PLASTIC TRENDS
.COM

56400 Mound Road, Shelby Township, MI 48316
 Phone (596) 781-2700 Fax (596) 781-0999
 PRINTED COPIES ARE FOR REFERENCE ONLY
 DATE 18MAY2011 BY KBL

SDR 26 REDUCER COUPLING
4X3

M654.D01