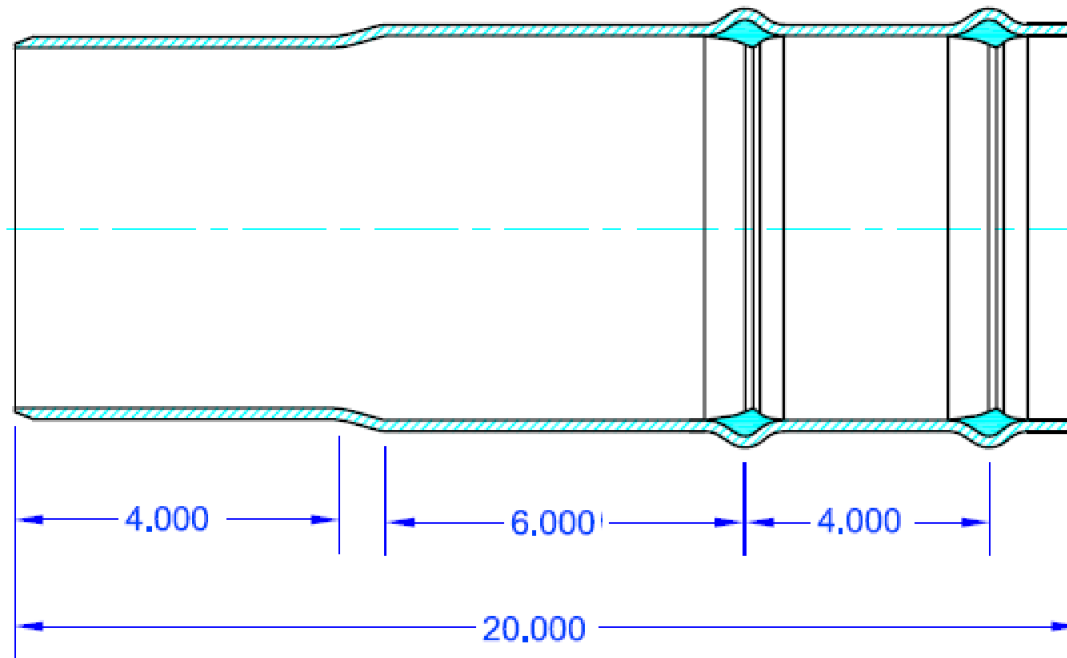


**SIGNED DRAWINGS MUST ACCOMPANY PURCHASE ORDER OR
DIMENSIONS OF FITTINGS WILL NOT BE GUARANTEED**



DISCLAIMER - PLEASE READ

DUE TO VARIOUS FACTORS AFFECTING PRODUCTION, ALL DIMENSIONS ARE APPROXIMATE. DIMENSIONS AND APPEARANCE ARE SUBJECT TO CHANGE WITHOUT NOTICE DUE TO DESIGN OR PRODUCTION MODIFICATIONS. ANGLE TOLERANCE FOR ELBOWS IS ± 2 DEGREES. ALL FITTINGS ARE SUBJECT TO P.T.I. "STANDARD TERMS AND CONDITIONS." A COPY OF THIS DRAWING MUST ACCOMPANY ALL PURCHASE ORDERS FOR THIS FITTING. ALL OTHER DIMENSIONS ARE TO TOLERANCES OF ± 1 ".

PLASTIC TRENDS.COM
ROYAL Building Products

56400 Mound Road, Shelby Township, MI 48316
Phone (586)781-2700 Fax (586)781-0888

CONTROL SETTLEMENT JOINT IPS

6" SPIGOT x 6" IPS GSK HUB

PRINTED COPIES ARE FOR REFERENCE ONLY

DATE: N/A

DRAWN BY: PTI

DATE:

CHECKED BY:

T6306

DO NOT SCALE