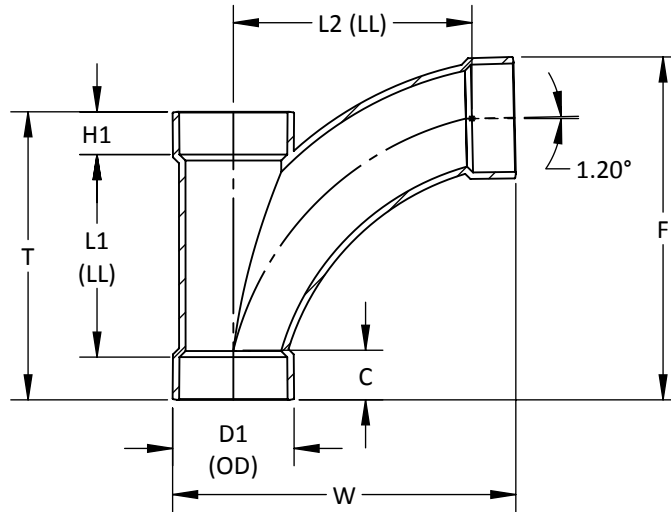


MOLDED



ASTM D2665, F2135, CSA B181.2 WHERE APPLICABLE

**LONG RADIUS SANITARY TEE HxHxH
PVC SOLVENT WELD DWV**

PART NO.	SIZE IN INCHES	L1	L2	H1	C	T	W	F	D1
* D1644	4 x 4	8 7/16	9 31/32	1 25/32	2 1/16	12	14 5/16	14 9/32	5 1/32

-- DIMENSIONS AND APPEARANCE ARE APPROXIMATE AND SUBJECT TO CHANGE
WITHOUT NOTICE DUE TO DESIGN OR PRODUCTION MODIFICATIONS
-- MOLDED FITTING TOLERANCE = ±1/8" OVERALL LENGTH
-- FABRICATED FITTING TOLERANCE = ±1" LINEAR, ± 2° ANGULAR

* MOLDED FITTING
† ASSEMBLED FROM MOLDED COMPONENTS
ALL OTHER FITTINGS ARE FABRICATED