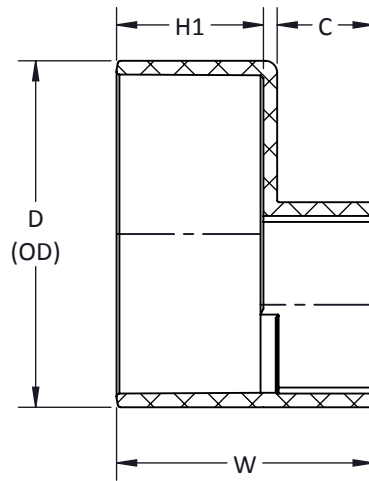
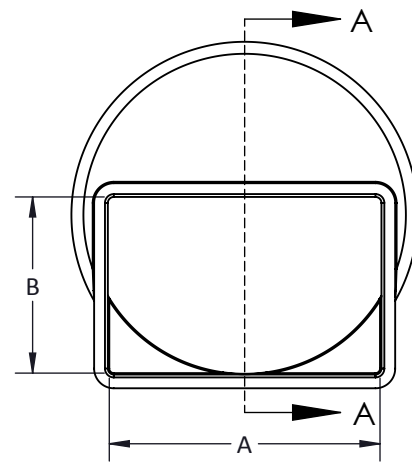


MOLDED



SECTION A-A



ASTM D2665, CSA B181.2 WHERE APPLICABLE

**FLUSHMOUNT DOWNSPOUT ADAPTER (H)
FLUSHMOUNT DOWNSPOUT x SOLVENT WELD DWV HUB**

PART NO.	SIZE IN INCHES	H1	W	D	A	B	C
* D1928	4 x 6 x 6	3 1/16	5 11/32	7 7/32	5 11/16	3 11/16	2

-- DIMENSIONS AND APPEARANCE ARE APPROXIMATE AND SUBJECT TO CHANGE WITHOUT NOTICE DUE TO DESIGN OR PRODUCTION MODIFICATIONS
-- MOLDED FITTING TOLERANCE = ±1/8" OVERALL LENGTH
-- FABRICATED FITTING TOLERANCE = ±1" LINEAR, ± 2° ANGULAR

* MOLDED FITTING
† ASSEMBLED FROM MOLDED COMPONENTS
ALL OTHER FITTINGS ARE FABRICATED