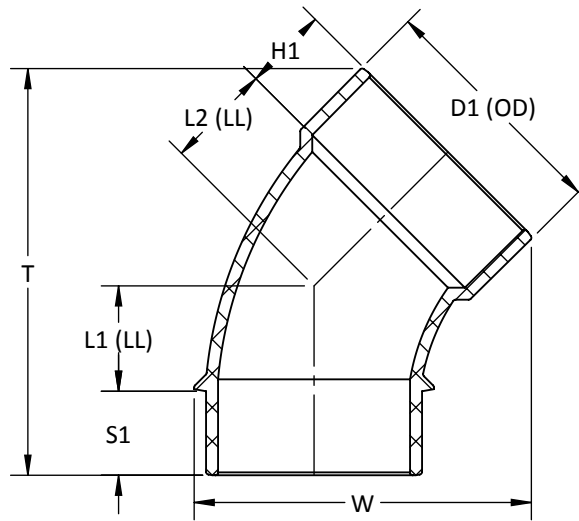


MOLDED



ASTM D2665, F1866, F2135, CSA B181.2 WHERE APPLICABLE

**1/8 BEND (45) SxH
PVC SOLVENT WELD DWV**

PART NO.	SIZE IN INCHES	L1	L2	S1	H1	T	W	D1
* D404LS	4	2 3/16	2 3/16	1 25/32	1 25/32	8 1/2	7 1/32	5 1/16
* D406LS	6	2 1/32	2 1/32	3 1/16	3 1/16	11 3/32	9 11/16	7 7/32
* D408SS	8	2 1/16	2 1/16	4 1/16	4 1/16	13 5/8	12 7/32	9 11/32
* D4010SS	10	3 9/32	3 9/32	5 1/16	5 1/16	18 3/16	15 21/32	11 17/32
* D4012SS	12	3 1/2	3 1/2	6 1/16	6 1/16	20 31/32	18 9/32	13 19/32

-- DIMENSIONS AND APPEARANCE ARE APPROXIMATE AND SUBJECT TO CHANGE
WITHOUT NOTICE DUE TO DESIGN OR PRODUCTION MODIFICATIONS
-- MOLDED FITTING TOLERANCE = ±1/8" OVERALL LENGTH
-- FABRICATED FITTING TOLERANCE = ±1" LINEAR, ± 2° ANGULAR

* MOLDED FITTING
† ASSEMBLED FROM MOLDED COMPONENTS
ALL OTHER FITTINGS ARE FABRICATED