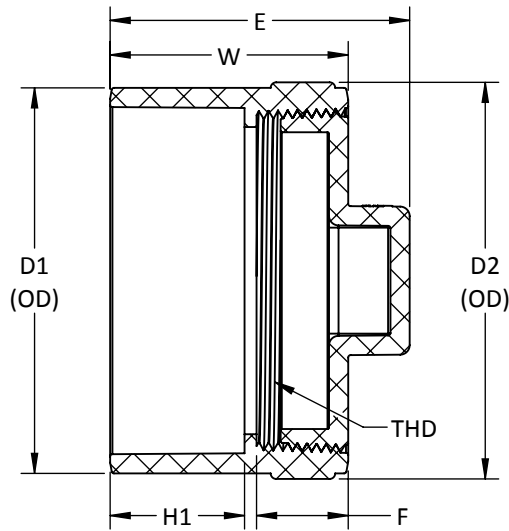


ASSEMBLED FROM
MOLDED COMPONENTS



ASTM D2665, F1866, F2135 CSA B181.2 WHERE APPLICABLE

**FEMALE ADAPTER WITH RAISED PLUG HxFIPT
PVC SOLVENT WELD DWV**

PART NO.	SIZE IN INCHES	H1	F	W	E	D1	D2	THD
† D9404	4 x 4	1 25/32	1 5/16	3 7/32	4 1/32	5 1/32	5 1/8	4" - 8 NPT
† D9406	6 x 6	3 1/16	1 9/16	4 7/8	5 27/32	7 7/32	7 3/8	6" - 8 NPT
† D9408	8 x 8	4 1/16	1 3/4	6 1/8	7 3/16	9 11/32	9 1/2	8" - 8 NPT
† D94010	10 x 10	5 1/16	1 25/32	7 5/32	8 1/8	11 17/32	N/A	10" - 8 NPT
† D94012	12 x 12	6 1/16	1 29/32	8 5/16	9 1/4	13 19/32	N/A	12" - 8 NPT

-- DIMENSIONS AND APPEARANCE ARE APPROXIMATE AND SUBJECT TO CHANGE
WITHOUT NOTICE DUE TO DESIGN OR PRODUCTION MODIFICATIONS
-- MOLDED FITTING TOLERANCE = ±1/8" OVERALL LENGTH
-- FABRICATED FITTING TOLERANCE = ±1" LINEAR, ± 2° ANGULAR

* MOLDED FITTING
† ASSEMBLED FROM MOLDED COMPONENTS
ALL OTHER FITTINGS ARE FABRICATED