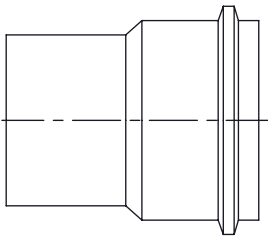
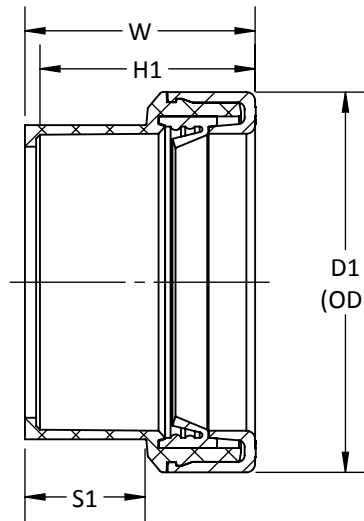


MOLDED



FABRICATED (APPEARANCE MAY VARY)



ASTM D2665, F1866, CSA B181.2
ASTM D3034, F1336, CSA B182.2
WHERE APPLICABLE

**DWV ADAPTER SLEEVE DWV SxG
SOLVENT WELD DWV SPIGOT x SDR 26 GASKET SEWER HUB**

| PART NO. | SIZE IN INCHES | H1 | S1 | W | D1 |
|----------|----------------|---------|---------|--------|----------|
| * H1208 | 4 x 4 | 2 29/32 | 1 25/32 | 3 9/32 | 5 29/32 |
| * H1209 | 6 x 6 | 3 7/32 | 3 1/16 | 6 7/16 | 8 1/8 |
| H12008 | 8 x 8 | --- | 4 1/4 | --- | 9 5/8 |
| H12010 | 10 x 10 | --- | 5 3/8 | --- | 12 1/8 |
| H12012 | 12 x 12 | --- | 6 3/8 | --- | 14 15/32 |

-- DIMENSIONS AND APPEARANCE ARE APPROXIMATE AND SUBJECT TO CHANGE
WITHOUT NOTICE DUE TO DESIGN OR PRODUCTION MODIFICATIONS
-- MOLDED FITTING TOLERANCE = ±1/8" OVERALL LENGTH
-- FABRICATED FITTING TOLERANCE = ±1" LINEAR, ± 2° ANGULAR

* MOLDED FITTING
† ASSEMBLED FROM MOLDED COMPONENTS
ALL OTHER FITTINGS ARE FABRICATED