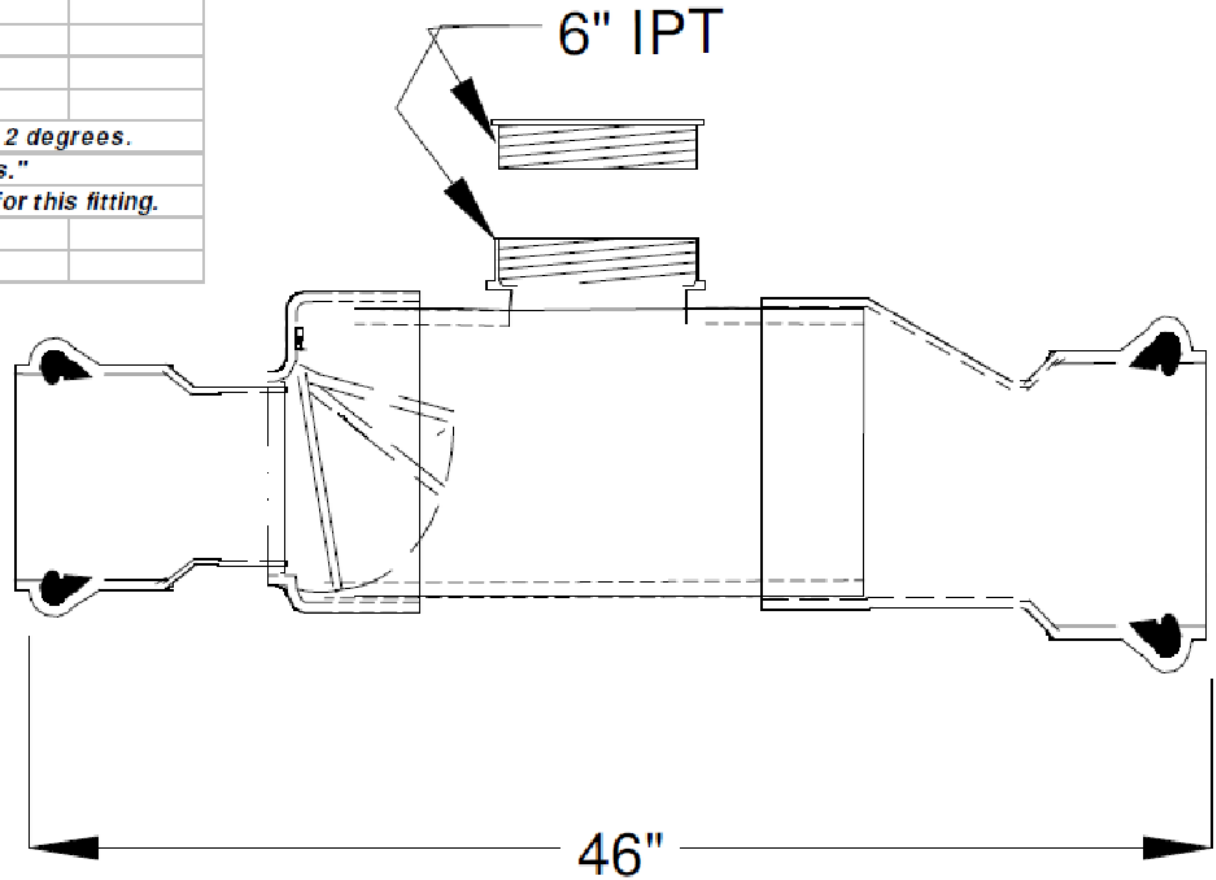


SIGNED DRAWINGS MUST ACCOMPANY PURCHASE ORDER OR DIMENSIONS OF FITTINGS WILL NOT BE GUARANTEED

**DISCLAIMER - PLEASE READ**

Due to various factors affecting production, all dimensions are approximate. Dimensions an apperance are subject to change without notice due to design or production modifications. Angle tolerance for elbows is  $\pm 2$  degrees. All fittings are subject to PTI "Standard Terms and Conditions." A copy of this drawing must accompany all purchase orders for this fitting. All other dimensions are to tolerances of  $\pm 1$ "



 **ROYAL** Building Products

56400 Mound Road, Shelby Township, MI 48316  
Phone (586)781-2700 Fax (586)781-0888

**12" INLINE BACKWATER VALVE**  
**SDR35 GASKETED SEWER**  
**12"x12" GxG**

PRINTED COPIES ARE FOR REFERENCE ONLY

DATE: 5/21/2014 DRAWN BY: BCS

DATE: 5/21/2014 CHECKED BY: RBP

**L0112.S**

DO NOT SCALE