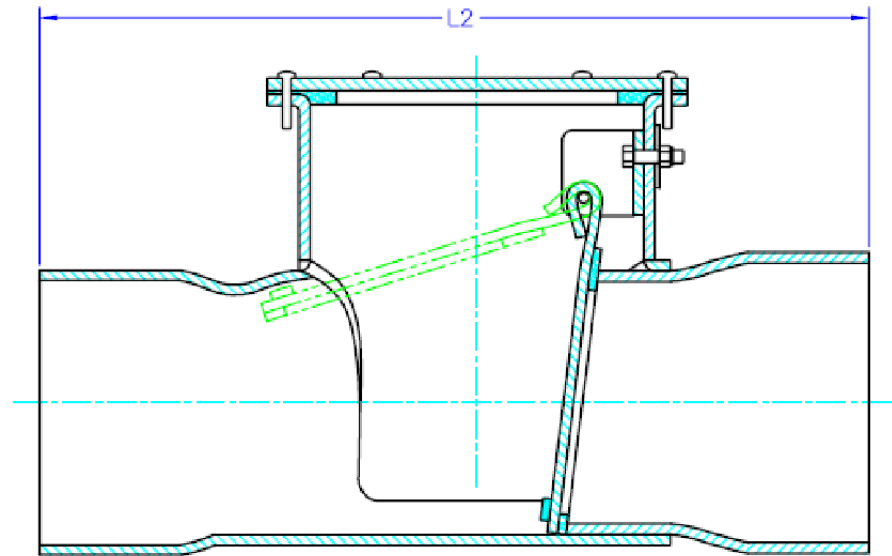
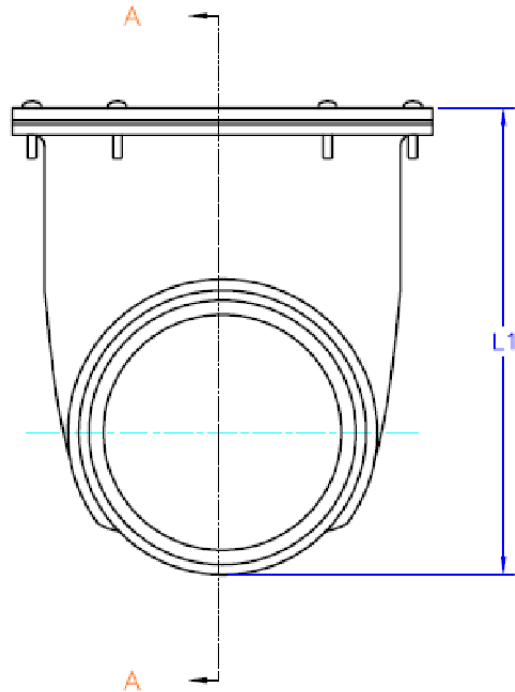


SIGNED DRAWINGS MUST ACCOMPANY PURCHASE ORDER OR DIMENSIONS OF FITTINGS WILL NOT BE GUARANTEED



SIZE	PART #	DIMENSIONS		WEIGHT (LBS)
		L1	L2	
4.000	**			
6.000	**			
8.000	79BBWV08	14.8	26.9	25.9
10.000	79BBWV10	17.5	32.3	40.5
12.000	79BBWV12	19.2	36.3	59.3
14.000	79BBWV14	19.8	42.5	108.5
16.000	79BBWV16	20.1	45.9	120.5
18.000	79BBWV18	26.2	55.7	186.6

**DISCLAIMER - PLEASE READ**

- DUE TO VARIOUS FACTORS AFFECTING PRODUCTION, ALL DIMENSIONS ARE APPROXIMATE
- DIMENSIONS AND APPEARANCE ARE SUBJECT TO CHANGE WITHOUT NOTICE DUE TO DESIGN OR PRODUCTION MONIFICATIONS
- ANGLE TOLERANCE FOR ELBOWS IS +/- 2 DEGREES.
- ALL OTHER DIMENSIONS ARE TO TOLERANCES OF +/- 1"
- ALL FITTINGS ARE SUBJECT TO P.T.I. "STANDARD TERMS AND CONDITIONS"

**18" INLINE BACKWATER VALVE  
SOLVENT WELD DWV  
18"x18" HxH**

**ROYAL** Building Products

56400 Mound Road, Shelby Township, MI 48316  
Phone (586)781-2700 Fax (586)781-0888

PRINTED COPIES ARE FOR REFERENCE ONLY

DATE: 11/5/2013 DRAWN BY: BCS

DATE: 11/5/2013 CHECKED BY: RBP

D0118.L

CUSTOMER