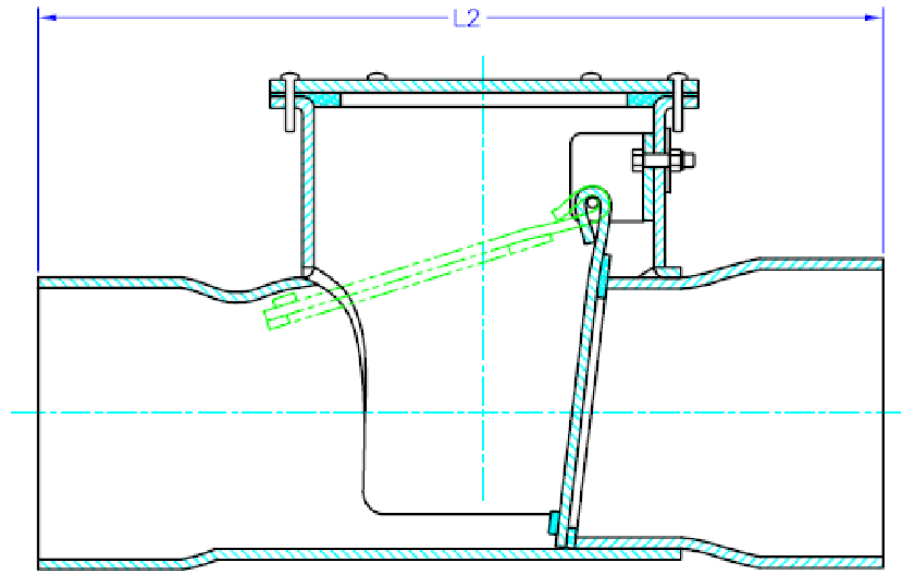
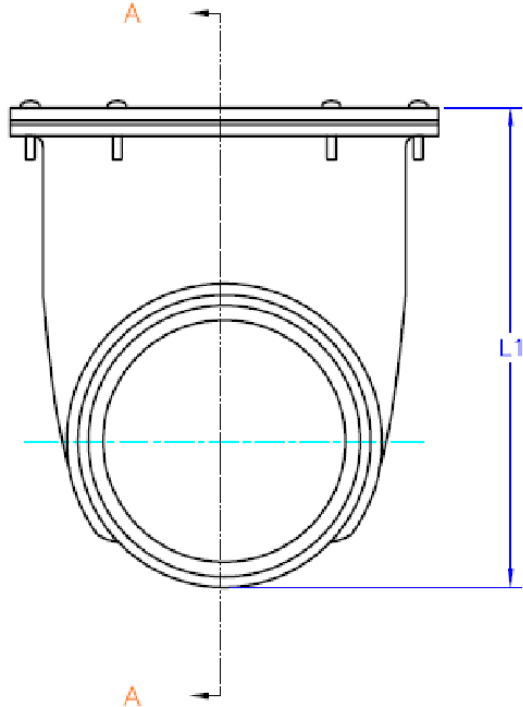


SIGNED DRAWINGS MUST ACCOMPANY PURCHASE ORDER OR DIMENSIONS OF FITTINGS WILL NOT BE GUARANTEED



SECTION A-A

SIZE	PART #	DIMENSIONS		WEIGHT (LBS)
		L1	L2	
4.000	**			
6.000	**			
8.000	79BBWV08	14.8	26.9	25.9
10.000	79BBWV10	17.5	32.3	40.5
12.000	79BBWV12	19.2	36.3	59.3
14.000	79BBWV14	19.8	42.5	108.5
16.000	79BBWV16	20.1	45.9	120.5
18.000	79BBWV18	26.2	55.7	186.6
20.000	79BBWV20	37.4	78.5	331.5

**DISCLAIMER - PLEASE READ**

- DUE TO VARIOUS FACTORS AFFECTING PRODUCTION, ALL DIMENSIONS ARE APPROXIMATE
- DIMENSIONS AND APPEARANCE ARE SUBJECT TO CHANGE WITHOUT NOTICE DUE TO DESIGN OR PRODUCTION MONIFICATIONS
- ANGLE TOLERANCE FOR ELBOWS IS +/- 2 DEGREES.
- ALL OTHER DIMENSIONS ARE TO TOLERANCES OF +/- 1"
- ALL FITTINGS ARE SUBJECT TO P.T.I. "STANDARD TERMS AND CONDITIONS"

**20" INLINE BACKWATER VALVE  
SOLVENT WELD DWV  
20"x20" HxH**

**ROYAL** Building Products

56400 Mound Road, Shelby Township, MI 48316  
Phone (586)781-2700 Fax (586)781-0888

PRINTED COPIES ARE FOR REFERENCE ONLY

DATE: 11/5/2013 DRAWN BY: BCS

DATE: 11/5/2013 CHECKED BY: RBP

D0120.L

CUSTOMER