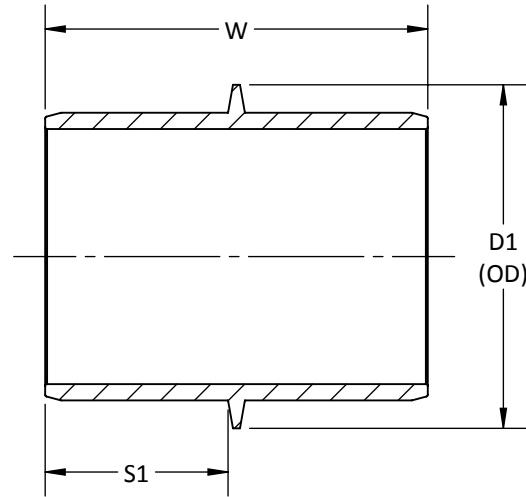


MOLDED



ASTM D2665, D3139, CSA B181.2 WHERE APPLICABLE

**VERTICAL RISER ADAPTER SxS
PVC IPS**

PART NO.	SIZE IN INCHES	S1	W	D1
* T984	4 x 4	2 27/32	5 31/32	5 3/8
* T986	6 x 6	3 1/32	6 11/32	7 17/32
* T988	8 x 8	4 1/32	8 7/16	9 19/32

-- DIMENSIONS AND APPEARANCE ARE APPROXIMATE AND SUBJECT TO CHANGE
WITHOUT NOTICE DUE TO DESIGN OR PRODUCTION MODIFICATIONS
-- MOLDED FITTING TOLERANCE = ±1/8" OVERALL LENGTH
-- FABRICATED FITTING TOLERANCE = ±1" LINEAR, ± 2° ANGULAR

* MOLDED FITTING
† ASSEMBLED FROM MOLDED COMPONENTS
ALL OTHER FITTINGS ARE FABRICATED